

# Brass Compression Fit - Equal Tees

## Compression Fitting Specification

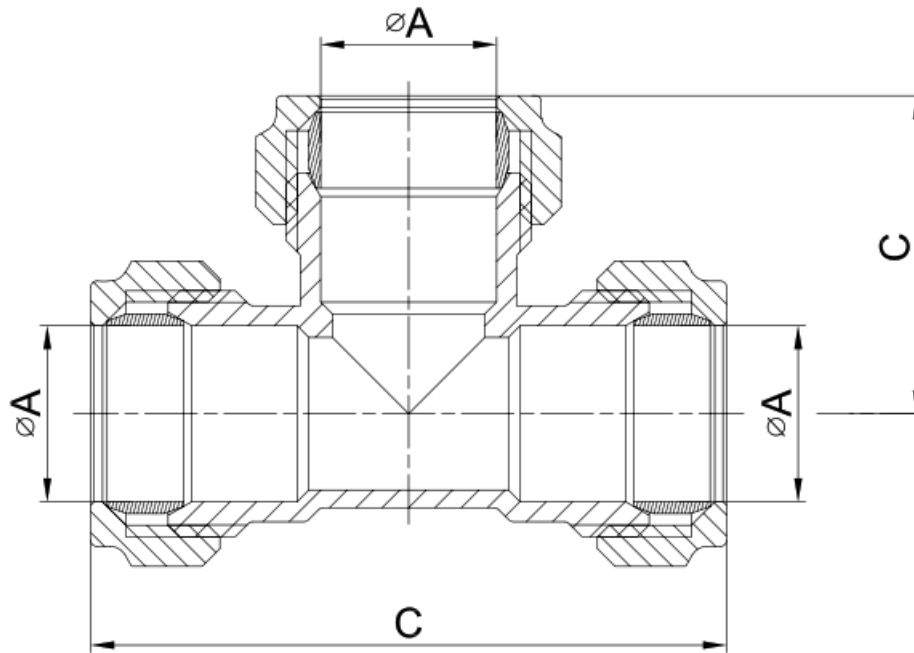


- Suitable for hot and cold drinking water, heating and chilled water systems.
- Designed for confined spaces and/or where the use of heat must be avoided.
- Connects a wide range of tubes in accordance with EN 1057.
- Available in duplex brass and/or dezincification resistant (DZR) brass or as dezincification immune red brass.
- Also available in chrome plated in accordance with EN 248.
- Compatible with low carbon steel, stainless steel, polyethylene (PE-X) and polybutylene (PB).
- Fast and easy to use flame-free installation.

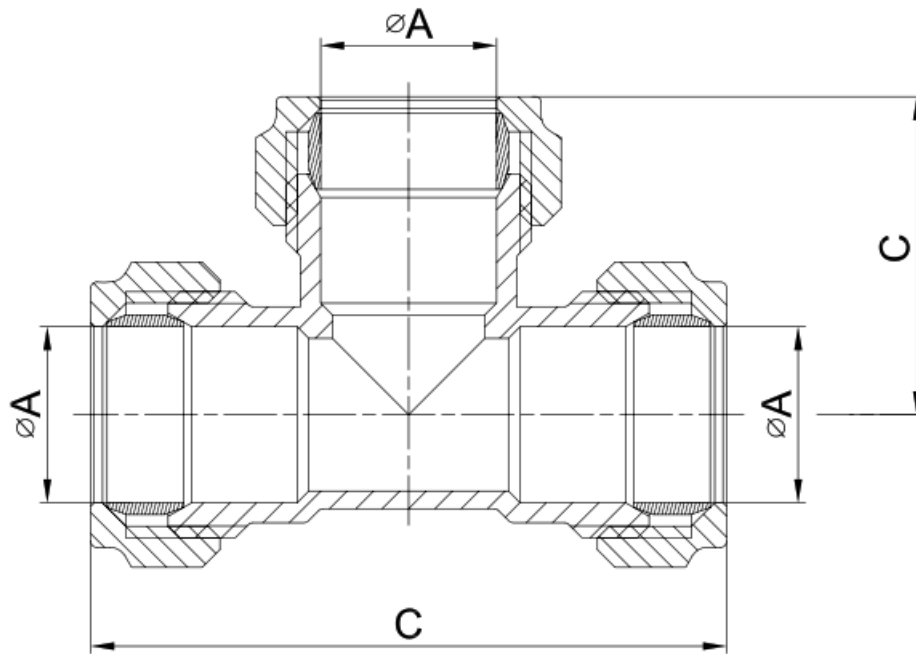
### Applications & Technical Information

Drinking water	Y
Sanitary water	Y
Heating and chilled water systems	Y
Compressed air	Y
LPG and natural gas	Y
Available sizes: water	8 - 54 mm
Available sizes: gas	8 - 28 mm (recommendation)
Available sizes: compressed air	8 - 28 mm
Warranty	Backed by full manufacturers product warranty
Operating parameters: water	8 - 15 mm: 25 bar at 95°C
	28 mm: 16 bar at 95°C
	35 - 54 mm: 13 bar at 95°C
Operating parameters: gas	1 bar at 30°C
Operating parameters: compressed air	7 bar at 30°C
Material	Brass, DZR

## Dimensions



28	38.9	77.7	BRASS CP
28	38.9	77.7	BRASS
22	32.84	66.68	BRASS CP
22	32.84	66.68	BRASS
15	27.1	54.2	BRASS CP
15	27.1	54.2	BRASS
10	24.6	49.2	BRASS
8	24.45	48.9	BRASS
A	B	C	Colour



54	61.7	123.3	BRASS CP
54	61.7	123.3	BRASS
42	53.42	106.84	BRASS CP
42	53.42	106.84	BRASS
35	44.8	89.6	BRASS CP
35	44.8	89.6	BRASS
A	B	C	Colour