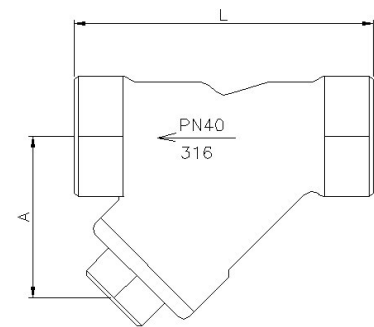
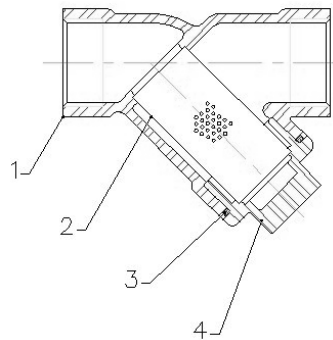


Art2460 Stainless Steel Y-Strainer

Features

1. "Y" Strainer.
2. Threaded ends according ISO 7-1 (EN 10226-1).
3. Made of Stainless Steel 1.4408 (CF8M).
4. Max. Working pressure 40 bar.
5. Working temperature -30 °C + 240 °C.



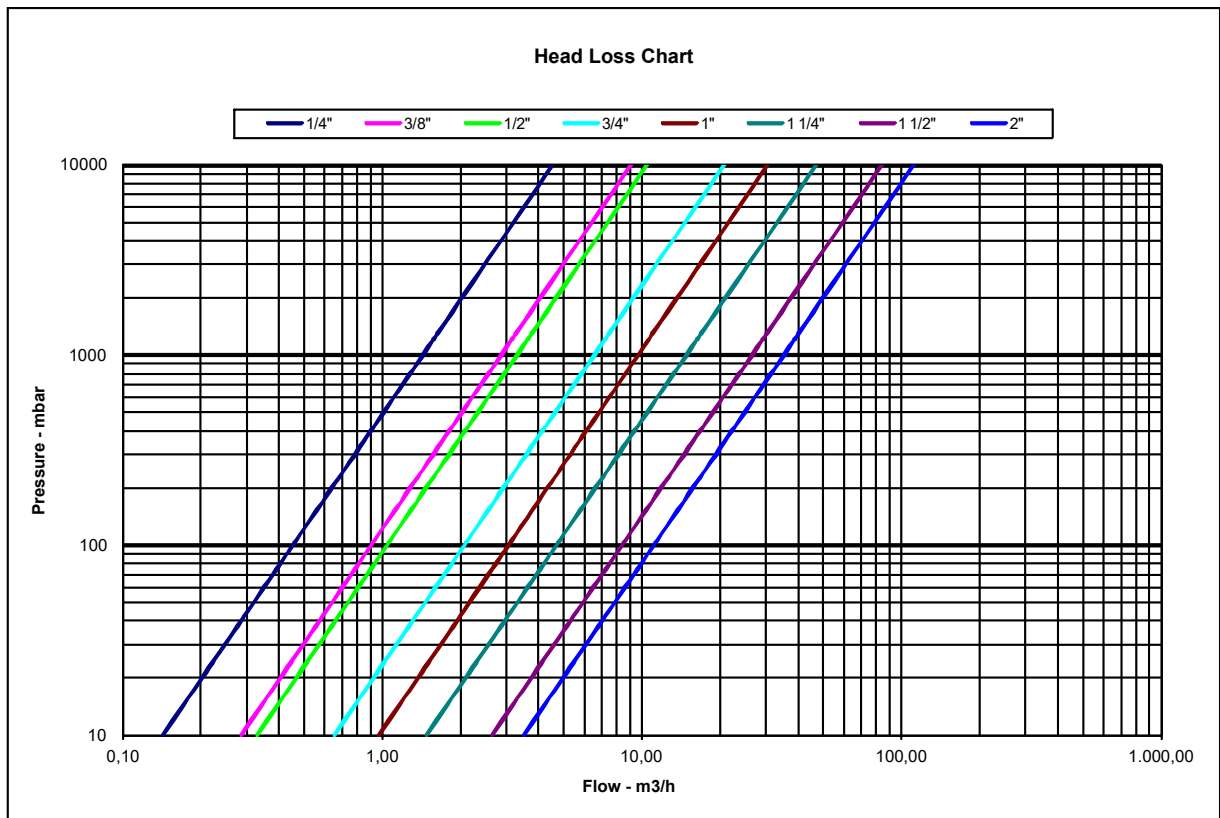
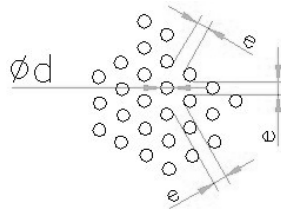
N°	Name	Material	Surface Treatment	Spare Part Code
1	Body	Stainless Steel 1.4408	Shot Blasting	
2*	Mesh	Stainless Steel 316		2991
3*	Gasket	PTFE		2991
4	Plug	Stainless Steel 1.4408	Shot Blasting	

*Spare parts available

General Dimensions

Ref	Size	PN	Dimensions (mm)				Weight (Kg)
			A	L	Ø d	e	
2460 02	1/4"	40	30	65	1	1	0.29
2460 03	3/8"	40	30	65	1	1	0.21
2460 04	1/2"	40	40	65	1	1	0.22
2460 05	3/4"	40	45	80	1	1	0.35
2460 06	1"	40	55	90	1	1	0.66
2460 07	1 1/4"	40	65	105	1	1	0.77
2460 08	1 1/2"	40	70	120	1	1	1.15
2460 09	2"	40	85	140	1	1	1.76

Mesh Detail



Kv Values

Kv: Water flow rate cubic meter per hour (m3/h) generating a 1 bar pressure drop across the valve.

D	Inch	1/4"	3/8"	1/2"	3/4"	1"	1 1/4"	1 1/2"	2"
Kv	m3/h	1.44	2.88	3.30	6.60	9.70	14.90	26.60	35.40

Pressure/Temperature Rating

