

Art2104 Stainless Steel Wafer Butterfly Valve (PTFE Seals)

Features

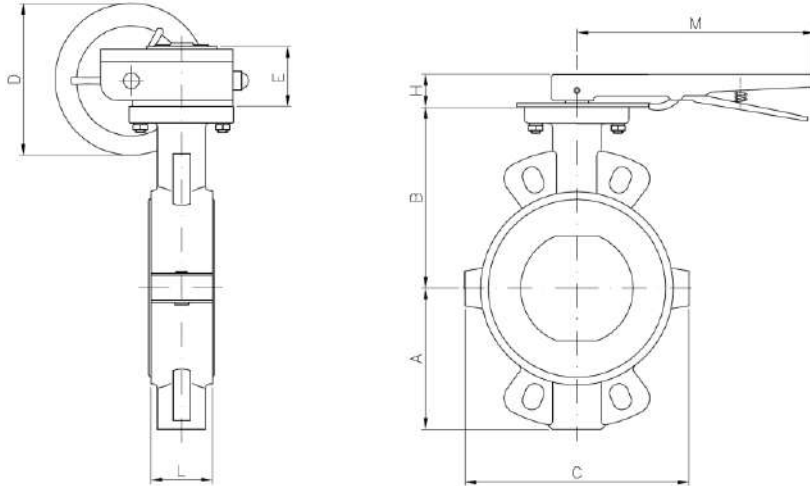
1. Butterfly valve wafer type.
2. Stainless Steel 1.4408 (CF8M) split body allows installation between ANSI 150 and EN 1092 PN 10/16 pipe flanges.
3. PTFE body seat on EPDM backseat.
4. Butterfly disc made of Stainless Steel 1.4408 (CF8M).
5. Stem made of Stainless Steel AISI 316.
6. Actuator mounting plate according to ISO 5211.
7. Face to face according to EN 558-1 Series 20 (DIN 3202 K1).
8. Max. working pressure 10 bar.
9. Working Temperature $-25^{\circ}\text{C} +180^{\circ}\text{C}$.



N°	Name	Material	Surface Treatment	Spare Part Code
1	Lower Body	Stainless Steel 1.4408	Shot Blasting	
2	Upper Body	Stainless Steel 1.4408	Shot Blasting	
3	Upper Stem	Stainless Steel 316		
3	Lower Stem	Stainless Steel 316		
5*	Seat	PTFE on EPDM		ET2104
6	Disc	Stainless Steel 1.4408	Shot Blasting	
7	Hub	RPTFE		
8	Spring Washer	Stainless Steel 301		
9	O-Ring	Viton		
10	Bush	RPTFE		
11	Washer	Stainless Steel 304		
12	Seeger Ring	Stainless Steel 304		
13	Handle	Stainless Steel 304	Polished	
14	Plate	Stainless Steel 304	Polished	
15	Screw-Nut	Stainless Steel 304		
16	Screw	Stainless Steel 304		

*Available spare parts

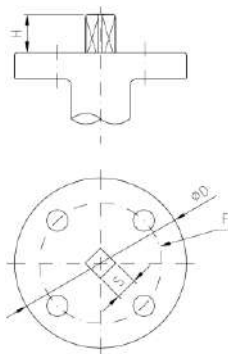
General Dimensions



Ref	Size	DN	PN	Dimensions (mm)								Weight (Kg)
				L	A	B	C	D	E	H	M	
2104 09	2"	50	10	43	74	136	117	***	***	32	264	2,700
2104 10	2 ½"	65	10	46	82	138	126	***	***	32	264	3,300
2104 11	3"	80	10	46	90	138	142	***	***	32	264	3,600
2104 12	4"	100	10	52	116	158	178	***	***	32	264	5,400
2104 13	5"	125	10	56	132	174	202	***	***	32	264	7,400
2104 14	6"	150	10	56	145	190	234	200	55	***	***	10,500
2104 16	8"	200	10	60	180	229	286	220	71	***	***	18,100
2104 18	10"	250	10	68	210	264	338	300	71	***	***	24,900

*** Sizes 6" & Above: Gearbox operated

Top Flange Dimensions



Ref.	F (ISO5211)	S	D	H	Torque Nm.
2104 09	F05	11	65	32	20
2104 10	F05	11	65	32	25
2104 11	F05	11	65	32	30
2104 12	F07	14	90	32	60
2104 13	F07	14	90	32	100
2104 14	F07	14	90	32	180
2104 16	F10	17	125	45	300
2104 18	F10	22	125	45	400

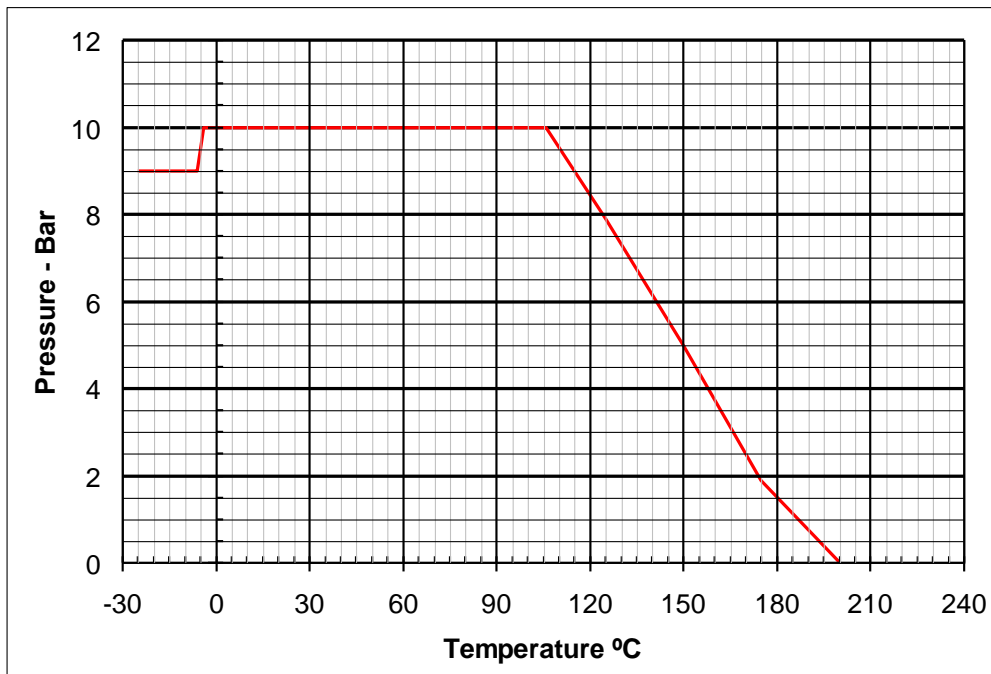
Head Losses (Kv) By Disc Position

DN	Disc Position (degrees)								
	90°	80°	70°	60°	50°	40°	30°	20°	10°
50	125	99	73	53	37	23	14	6	1
65	244	193	141	93	58	37	21	10	1
80	399	315	231	133	83	53	30	13	2
100	727	606	429	237	148	94	54	23	3
125	1190	991	670	370	232	147	85	37	4
150	1600	1334	887	490	306	195	112	48	5
200	2868	2458	1610	935	588	364	208	88	10
250	4713	3927	2558	1484	933	578	331	140	16

Kv Values

Kv (m³/h): The rate of flow of water in cubic meter per hour that will generate a pressure drop of 1 bar across the valve

Pressure/Temperature Rating



Installation Precautions

Do not install the butterfly valve in fully closed position.

Check the good parallelism of the flanges.

Do not insert other gaskets between flange and valve.

Open completely the valve before tightening flanges.

