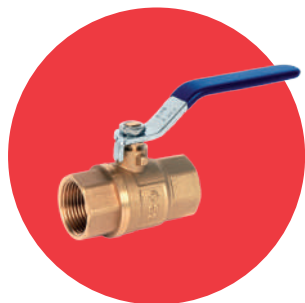


ART 50

PN40 DZR Brass Ball Valve



Features

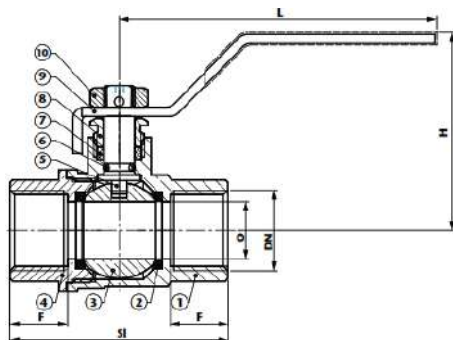
- Screwed BSP Taper ends (ISO 7/1) or NPT (ANSI B1.20.1)
- Anti-blow-out stem
- Full bore
- Locking lever, thermal extension (1/2" - 2" only) and tee handle (1/4" - 1" only) options available
- For details on handles refer to the Ball Valve Accessory datasheet



Technical data

Max pressure: 40 Bar

Working temp: -20°C to 130°C



DN	1/4"	3/8"	1/2"	3/4"	1"	1 1/4"	1 1/2"	2"
O	10	10	14.5	19	24.5	31.5	40	49
F	11.5	11.5	15	18	19.5	20	21	26.5
Sl	45	45	57	67	77	88	99	121
H	41	41	49	51	62	81	90	96
L	83	83	88	100	125	140	140	165
Kv	8	10	16	30	48	100	170	230
Kgs	0.15	0.14	0.21	0.30	0.45	0.72	1.03	1.53

N.	Part Name	Materials
1	Body	DZR Brass CW602N
2	Seat	PTFE
3	Ball	DZR Brass CW602N Chrome Plated
4	Cap	DZR Brass CW602N
5	Stem	DZR Brass CW602N
6	O-Ring	NBR
7	Stem Packing	PTFE
8	Lock Nut	Brass CW617N
9	Handle	Steel A3
10	Nut	Steel A3

