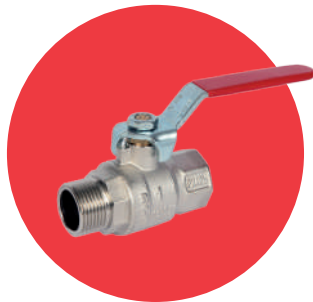


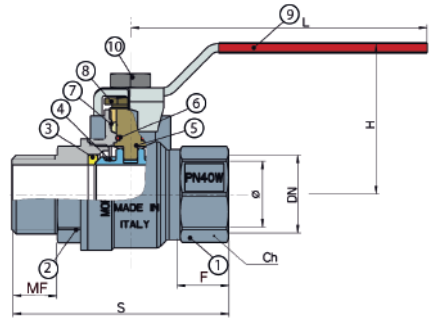
ART 46

PN50 Brass Ball Valve



Features

- Screwed BSP Parallel M/F Ends (ISO 228/1)
- PTFE seats & seals
- Anti-blow-out stem
- Full bore
- Locking lever & tee handle options available
- For details on handles refer to the Ball Valve Accessory datasheet



Technical data

Max pressure: $\frac{1}{4}$ " - $\frac{3}{4}$ " 50 Bar
 1 " - $1\frac{1}{4}$ " 40 Bar
 $1\frac{1}{2}$ " - 2 " 32 Bar

Working temp: -20°C to +160°C

| DN | 1/4" | 3/8" | 1/2" | 3/4" | 1" | 1 1/4" | 1 1/2" | 2" |
|-----|------|------|------|------|------|--------|--------|------|
| ∅ | 10 | 10 | 15 | 20 | 25 | 32 | 40 | 50 |
| F | 12 | 12 | 17 | 19.5 | 21 | 22 | 23.5 | 28 |
| MF | | 12 | 15 | 16 | 19 | 20.5 | 21.5 | 24.5 |
| S | 42 | 54 | 70 | 80 | 92 | 102 | 117 | 137 |
| H | 41 | 41 | 54 | 58 | 66 | 71 | 80 | 88 |
| L | 80 | 80 | 90 | 90 | 125 | 125 | 140 | 140 |
| Ch | 21 | 21 | 26 | 31 | 38 | 48 | 55 | 68 |
| Kv | 15 | 15 | 20 | 45 | 60 | 100 | 170 | 265 |
| Kgs | 0.12 | 0.13 | 0.27 | 0.39 | 0.63 | 0.91 | 1.43 | 2.06 |

N. Part Name Materials

| | | |
|----|-------------|------------------------------|
| 1 | Body | Brass / Nickel Plated CW617N |
| 2 | Cap | Brass / Nickel Plated CW617N |
| 3 | Seat | PTFE |
| 4 | Ball | Brass / Chrome Plated CW617N |
| 5 | Stem | Brass CW614N |
| 6 | O-Ring | HNBR |
| 7 | Seal | PTFE |
| 8 | Packing Nut | Brass CW614N |
| 9 | Handle | Steel Plastic Coated |
| 10 | Nut | Steel Zinc Plated |

