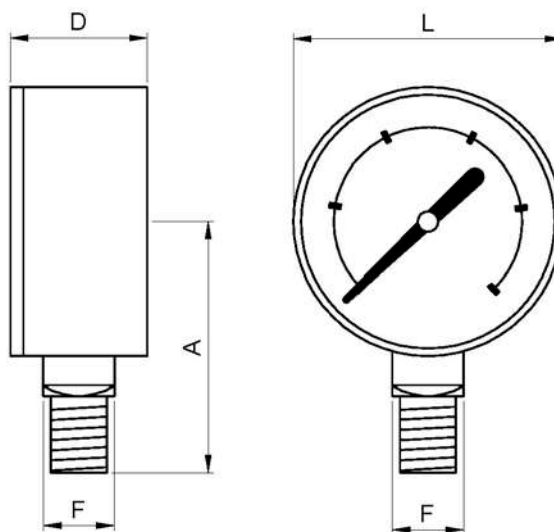


Art3814

63mm Glycerine Filled Pressure Gauge (Bottom BSP Connection)

Features

1. Size Ø63.
2. Pressure gauge with radial bottom connection, male thread (BSP) G 1/4" according ISO 228/1.
3. Case in stainless steel AISI 304.
4. Contains glycerine.
5. Tube "Bourdon" and fitting connection made of stainless steel AISI 304.
6. White dial: black scale (bar) and red (psi).
7. Polycarbonate viewer.
8. Rubber plug for filling hole.
9. Class precision: cl. 2,5.
10. Scale available from 0 to 2,5 - 4 - 6 - 10 - 16 - 25 - 40 - 60 - 100 bar.
11. Working temperature from -20°C to 60°C.



Ref	Scale		Dimensions (mm)				Weight (Kg)
	bar	ps	A	L	D	F	
3814 002	0 - 2,5	0 - 40	56	63	30	14x14	0,207
3814 004	0 - 4	0 - 60	56	63	30	14x14	0,207
3814 006	0 - 6	0 - 90	56	63	30	14x14	0,207
3814 010	0 - 10	0 - 150	56	63	30	14x14	0,207
3814 016	0 - 16	0 - 240	56	63	30	14x14	0,207
3814 025	0 - 25	0 - 400	56	63	30	14x14	0,207
3814 040	0 - 40	0 - 600	56	63	30	14x14	0,207
3814 060	0 - 60	0 - 900	56	63	30	14x14	0,207
3814 100	0 - 100	0 - 1500	56	63	30	14x14	0,207