

Brass Compression Fit - Straight Reducing Couplings

Compression Fitting Specification

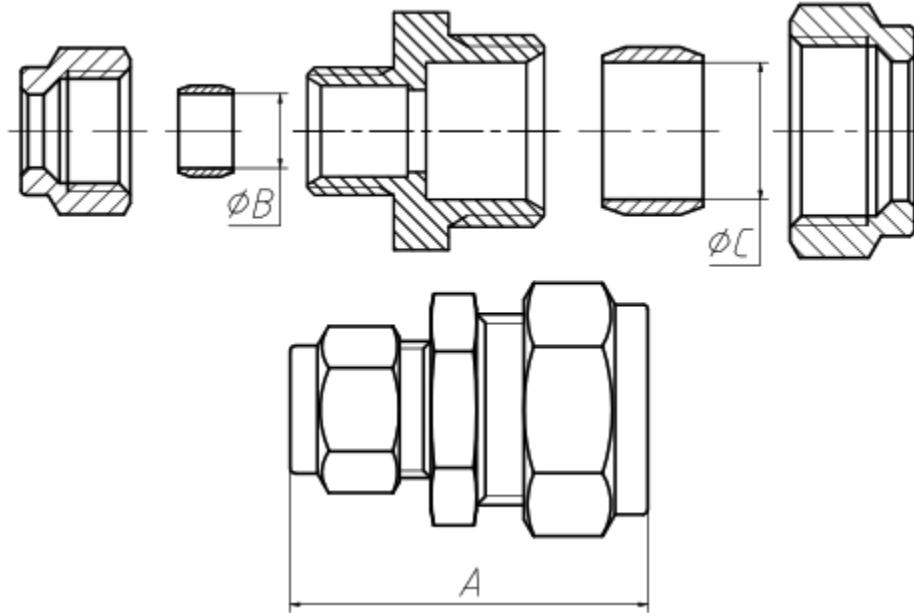


- Suitable for hot and cold drinking water, heating and chilled water systems.
- Designed for confined spaces and/or where the use of heat must be avoided.
- Connects a wide range of tubes in accordance with EN 1057.
- Available in duplex brass and/or dezincification resistant (DZR) brass or as dezincification immune red brass.
- Also available in chrome plated in accordance with EN 248.
- Compatible with low carbon steel, stainless steel, polyethylene (PE-X) and polybutylene (PB).
- Fast and easy to use flame-free installation.

Applications & Technical Information

Drinking water	Y
Sanitary water	Y
Heating and chilled water systems	Y
Compressed air	Y
LPG and natural gas	Y
Available sizes: water	8 - 54 mm
Available sizes: gas	8 - 28 mm (recommendation)
Available sizes: compressed air	8 - 28 mm
Warranty	Backed by full manufacturers product warranty
Operating parameters: water	8 - 15 mm: 25 bar at 95°C
	28 mm: 16 bar at 95°C
	35 - 54 mm: 13 bar at 95°C
Operating parameters: gas	1 bar at 30°C
Operating parameters: compressed air	7 bar at 30°C
Material	Brass, DZR

Dimensions



<i>MF REDUCED COMP COUPLER 10mm x 8mm</i>	33.5	8	10	Brass
<i>MF REDUCED COMP COUPLER 15mm x 8mm</i>	34	8	15	Brass
<i>MF REDUCED COMP COUPLER 15mm x 10mm</i>	38	10	15	Brass
<i>MF REDUCED COMP COUPLER 15mm x 12mm</i>	36.5	12	15	Brass
<i>MF REDUCED COMP COUPLER 16mm x 15mm</i>	41.5	15	16	Brass
<i>MF REDUCED COMP COUPLER 18mm x 15mm</i>	42	15	18	Brass
<i>MF REDUCED COMP COUPLER 22mm x 15mm</i>	41	15	22	Brass
<i>MF REDUCED COMP COUPLER 28mm x 15mm</i>	39.5	15	28	Brass
<i>MF REDUCED COMP COUPLER 28mm x 22mm</i>	44	22	28	Brass
<i>Description</i>	<i>A</i>	<i>B</i>	<i>C</i>	<i>Colour</i>