

Art5803 - 5803L GE Multivoltage Electric Rotary Actuator

Features

Designed for applications of 1/4 turn (90°) and reversible, ideal for the electric automation of ball valves and butterfly valves.

There are 6 different sizes according to operational torques:

GE-0	GE-05	GE-1	GE-15	GE-2	GE-2+
20 Nm	35 Nm	55 Nm	85 Nm	140 Nm	300 Nm

There are 2 different models according to the currents range:

Model	Voltage	Size
" S "	24 - 240 VDC / VAC	All Sizes
" B "	12 VDC / VAC	All Sizes

ADVANTAGES:

Fixation ISO 5211.

Protection IP-67.

Manual Override.

Optic indicator of position

4 SPDT micro (2 motor stop and 2 confirmations).

Automatic temperature control:

An internal 3,5 W thermostatically controlled heater maintains the internal temperature between 20° and 30° C eliminating the damage by condensation.

Electronic torque limiter:

Should the maximum torque be exceeded the system cuts the power to the motor to prevent damage to the actuator.

LED visual control of operation.



Technical Characteristics

Description	Units	Models					
		GE-0	GE-05	GE-1	GE-15	GE-2	GE-2+
OPERATION TIME NO LOAD (90°) + / - 10%	Second	10	10	13	29	25	48
OPERATING TORQUE	Nm	20	35	55	85	140	300
MAXIMUM TORQUE BREAK	Nm	25	38	60	90	170	350
DUTY RATING	%	75 %					
IP RATING IEC 60529		IP-67					
WORKING ANGLE	°	90° (Opcion 180° - 270°)					
WORKING TEMPERATURE	°C	-20° +70°					
LIMIT SWITCH		2 motor stop and 2 confirmation					
ANTI-CONDENSATION HEATER	W	3,5					
BIG / SMALL PLUGS		EN 175301-803 Form.A / DIN 43650/C					
WEIGHT	Kg	1,8	1,9	2,4	3	5,2	5,2
VOLTAGE	V	SERIE " S " : 24 a 240 VCA / VCC / 24 to 240 VAC / VDC 50 / 60 Hz SERIE " B " : 12 VCA / VCC / 12 VAC / VDC 50 / 60 Hz					

Description	Units	Models						
		Current	GE-0	GE-05	GE-1	GE-15	GE-2	GE-2+
CONSUMPTION AT MAXIMUM OPERATIONAL TORQUE (+/- 5%)	A / W	12 VDC	1.80 / 21.60	2.38 / 28.62	3.04 / 36.43	2.11 / 25.34	4.73 / 56.76	5.17 / 62.04
		24 VDC	0.90 / 21.49	1.28 / 30.78	1.55 / 37.17	1.08 / 25.87	2.15 / 51.48	2.31 / 55.44
		48 VDC	0.42 / 20.38	0.56 / 26.72	0.61 / 29.25	0.48 / 22.92	0.88 / 42.24	1.10 / 52.80
		110 VDC	0.13 / 14.30	0.17 / 18.90	0.19 / 20.80	0.14 / 15.20	0.28 / 30.25	0.33 / 36.30
		12 VAC	1.85 / 22.18	2.75 / 33	3.43 / 41.18	2.38 / 28.51	6.60 / 79.20	7.26 / 87.12
		24 VAC	1.12 / 26.77	1.58 / 37.80	1.87 / 44.88	1.36 / 32.74	2.59 / 62.04	2.75 / 66
		48 VAC	0.69 / 33.16	0.92 / 44.04	1.10 / 52.80	0.77 / 37.07	1.43 / 68.64	1.65 / 79.20
		110 VAC	0.27 / 29.52	0.36 / 39.45	0.40 / 43.80	0.31 / 33.64	0.63 / 68.97	0.66 / 72.60
		240 VAC	0.15 / 36.43	0.19 / 45.41	0.20 / 47.52	0.17 / 40.13	0.39 / 92.40	0.42 / 100.32

Materials of Construction

Cover:	Polyamide A6
Body:	Polyamide A6
Internal cams:	Polyamide A6
Main externals shaft:	S.S / Polyamide A6
Gears:	Steel and – Polyamide
Position indicator:	Glass filled + Polyamide
Fastening:	Stainless Steel

Options

- Safety block BSR (emergency fail safe kit system by battery).
- Digital Positioner DPS: 4-20 mA, 0-20 mA, 0-10V or 1-10V.
- Possibility of regulation: 180° and 270°.

Couplings		
MODELS	ISO 5211	DIN 3337
GE - 0	F03 / 04 / 05	<i>Double Square 14 mm</i>
GE - 05	F03 / 04 / 05	<i>Double Square 14 mm</i>
GE - 1	F05 / 07	<i>Double Square 17 mm</i>
GE - 15	F05 / 07	<i>Double Square 17 mm</i>
GE - 2	F07 / 10	<i>Double Square 22 mm</i>
GE - 2+	F07 / 10	<i>Double Square 22 mm</i>

LED Visual Control Of Operation

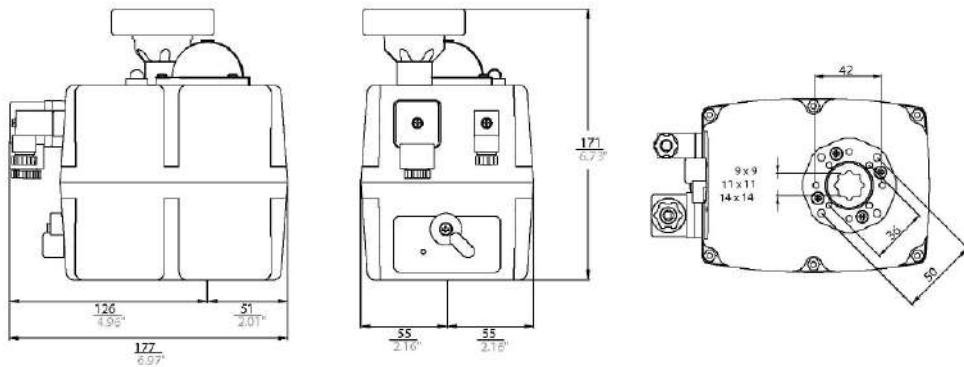
Features
<p><i>The LED status light provides visual communication between the actuator and the user.</i></p> <p><i>According to the type of light informs us of the state of operation of the actuator.</i></p>

Status	RGB LED Configuration
Actuator without power	LED Off
Actuator with power	Actuator Open: Green LED Actuator Closed: Red LED
Actuator moving (flashing LED)	Closing: Red/Orange Opening: Green/Orange
Actuator with torque limiter activated (flashing LED)	Closing: Red/Off Opening: Green/Off

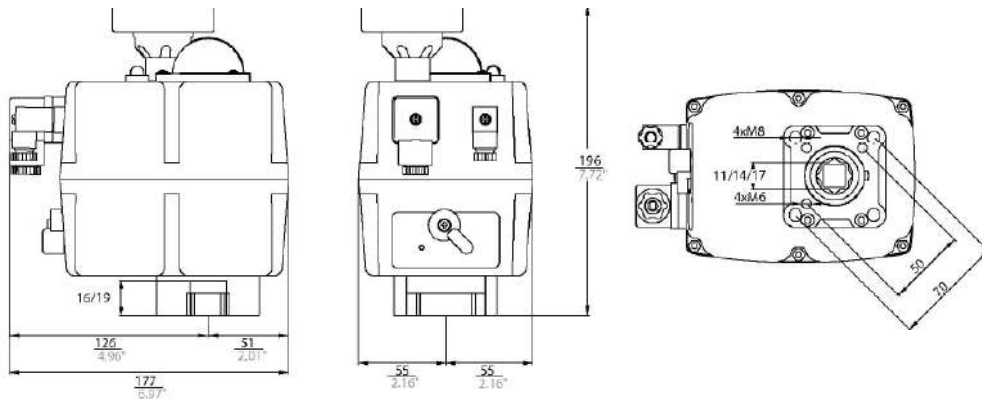
<i>Manual mode off</i>	Orange/Off (symmetric sequence)
Actuator without power. BSR Activated	BSR NO = Green/Off
Battery protection, needs recharging. BSR blocked	Orange/Off (asymmetric sequence)
Actuator with DPS Positioner	Stop: Blue Opening: Blue / Green Closing: Blue / Red

General Dimensions

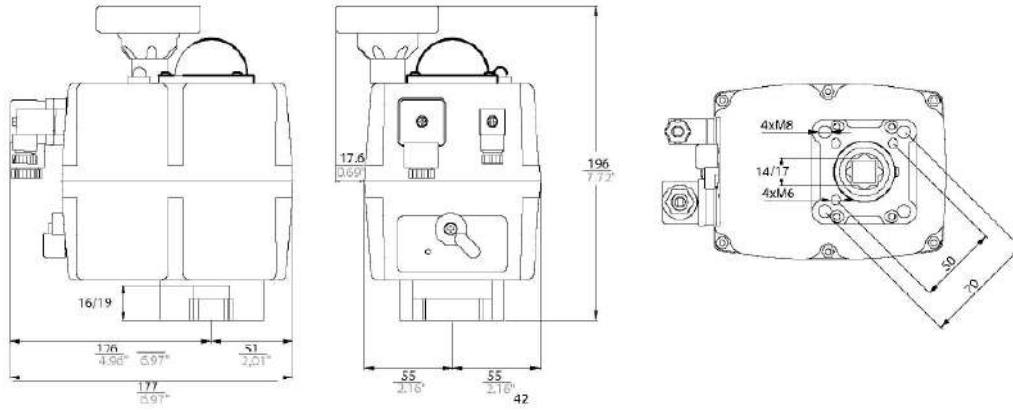
GE-0/GE-05



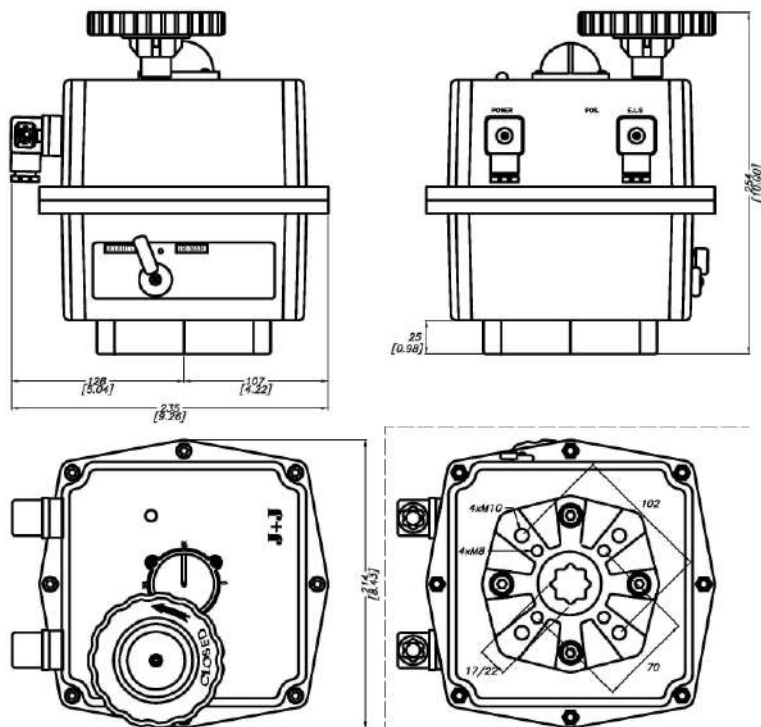
GE-1



GE-15



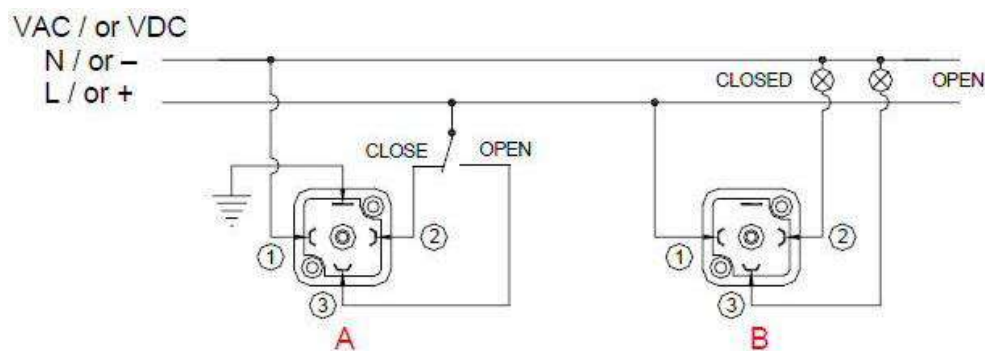
GE-2/GE2+



Wiring Diagram

On/Off

3 Wires (VAC or VDC)



A Plug (Grey) = Power Supply

A: VAC 3 Wires

PIN 1: Neutral + PIN 2: Phase = Close

PIN 1: Neutral + PIN 3: Phase = Open

A: VDC 3 Wires

PIN 1: Negative + PIN 2: Positive = Close

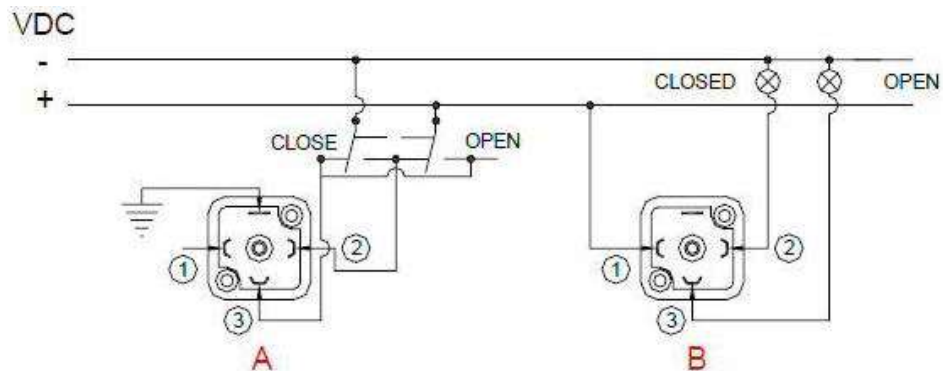
PIN 1: Negative + PIN 3: Positive = Open

B: Plug (Black) - Volt-Free Contacts

B: PIN 1 & PIN 2 = Closed

PIN 1 & PIN 3 = Open

2 Wires (VDC)



A Plug (Grey Color) = Power Supply

A: VDC 2 Wires

PIN 2: Positive + PIN 3: Negative = Close
PIN 2: Negative + PIN 3: Positive = Open

B Plug (Black) = Volt-Free Contacts

B: PIN 1 & PIN 2 = Closed
PIN 1 & PIN 3 = Open