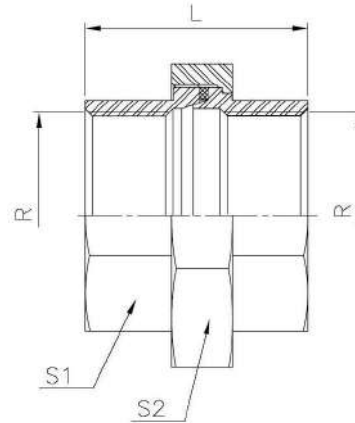


Art0340 Stainless Steel Flat Face Union (BSP Threaded)

Features

1. Made of AISI 316 (lost wax casting).
2. Threads according to ISO 7-1 (EN 10226-1) Std.
3. Dimensions according to ISO 4144 Std.
4. Sealing with PTFE gasket.
5. Max. Working pressure 20 bar (S-150).
6. Temperature ratings -25 °C to 180 °C



General Dimensions

Ref	Size (R)	Dimensions (mm)		
		L	S 1	S 2
0340 02	1/4"	33,5	17	29
0340 03	3/8"	36,5	20	34
0340 04	1/2"	39,5	25	39
0340 05	3/4"	42,5	30	47
0340 06	1"	50	38	58
0340 07	1 1/4"	54	47	67
0340 08	1 1/2"	58	53	76
0340 09	2"	65	66	90
0340 10	2 1/2"	75	82	107
0340 11	3"	83	96	123