

## Art5987 02 Limit Switch Box with 2 Mechanical Limit Switches for Pneumatic Actuators

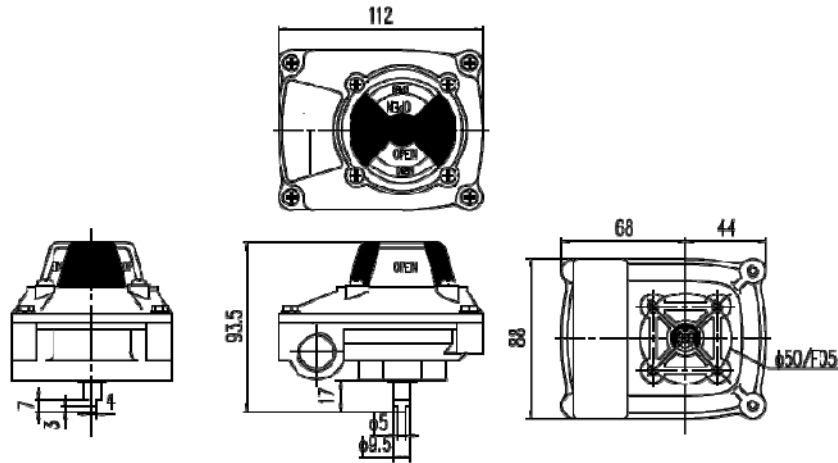
### Characteristics

*Was designed with advanced technology which are solid, beautiful, high-level quality and with the following characteristics:*

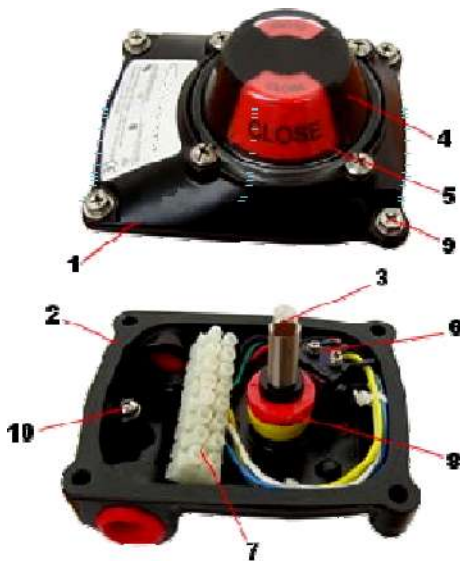
- *These boxes are manufactures in accordance with NAMUR (VDI/VDE 3845).*
- *Ingress Protection IP 67 according to UNE 20-324-93.*
- *Rapid and easy closing of the box with captive cover bolts: no worry to loose bolts while cover opens.*
- *Easy setting without tool based on spring loaded splinted cam.*
- *Position indicator of great visibility Open / Closed.*
- *Dual cable entries M20 x 1,5.*
- *8 points and enough strips for connection.*
- *Bracket with Epoxy Coated painted (Namur 30x80 H=30).*
- *2 Mechanical Limit Switches SPDT.*



## Box Dimensions



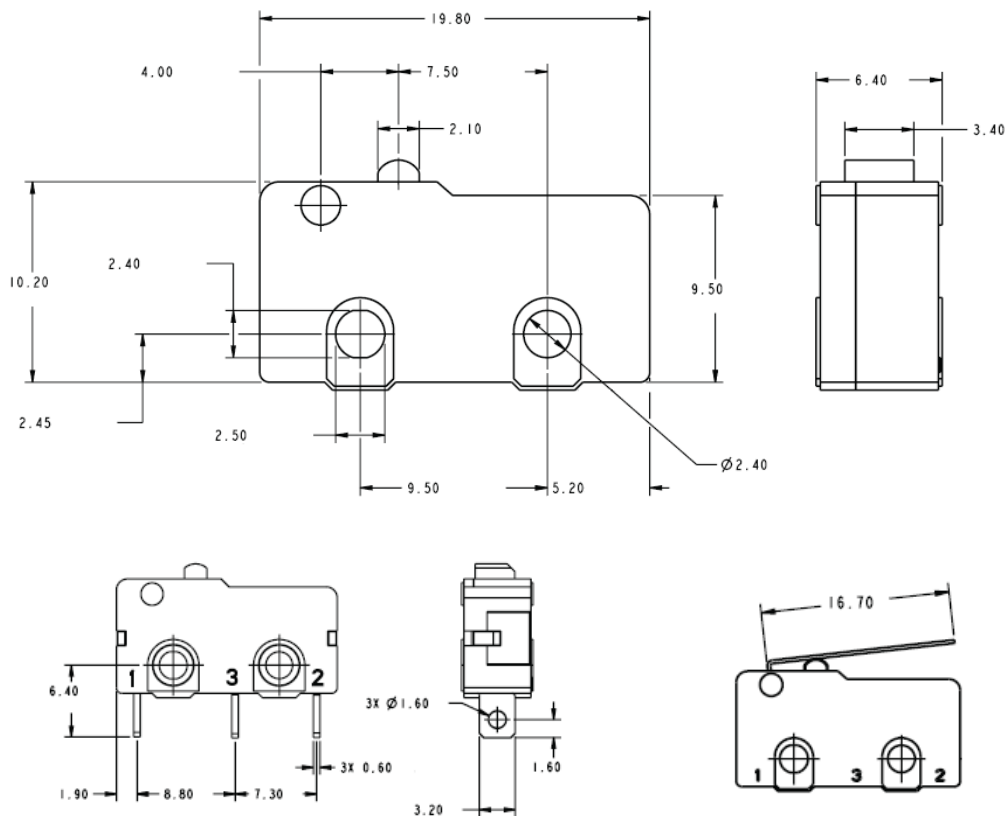
## Components



Nº	Name	Spare Part Code
1	Box Cover	
2	Box	
3	Shaft	
4	Indicator Cover	C5987
5	Indicator	CI5987
6	Micro Switch	S5987 02
7	Terminal Strip	
8	Cam	
9	Bolts	
10	Earth Lug	

Mechanical Switch Features	
Switch Model	Honeywell ZM50 - SPDT
Electrical Rating	125/250 VAC – 30 VDC
Operating Force	1N
Release Force	0.06N
Insulation Resistance	100 MΩ (Minimum)
Contact Resistance	100 MΩ (Maximum)
Operating Frequency	5.000.000 min @ 400 cycles/minute max
IP Ratings	IP40
Switch Material	PA (nylon)
Working Temperature	-40°C - 125°C

## Micro Switch Dimensions



# GENEBRE

## Wiring Diagram (2SPDT)

