

## Art3886/3887 Stainless Steel Ball Float Valve & Bouy

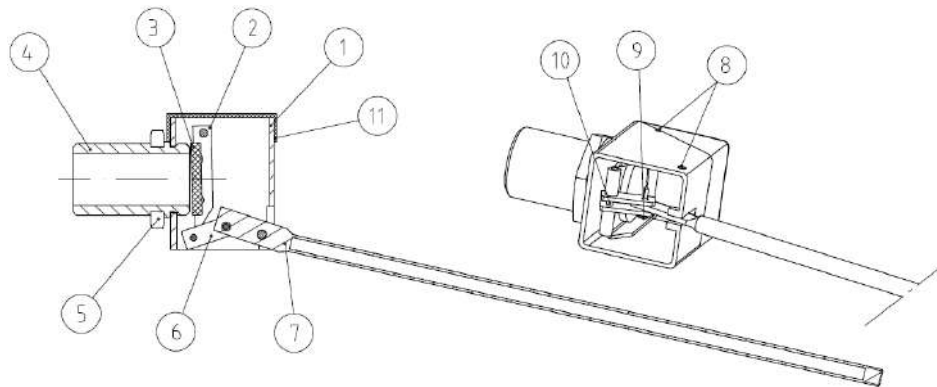
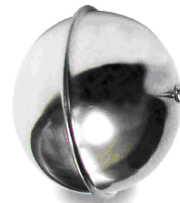
### Features

1. Floating valve.
2. Made of stainless steel AISI 304.
3. Gas threaded connection ISO 228-1.
4. Full bore.
5. Silicone sealing.
6. Maximum working pressure 10 bar.
7. Max. working temperature 150°C

Art3886



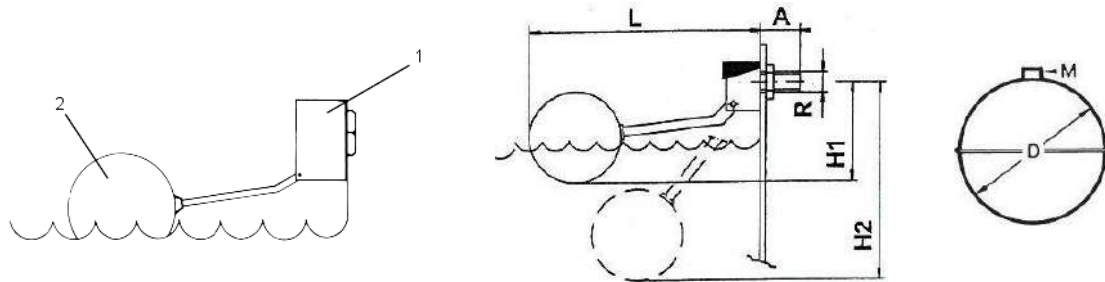
Art3887



N°	Name	Material	Surface Treatment	Spare Part Code
1	Body	Stainless Steel 1.4301		
2	Disc	Stainless Steel 1.4301		
3*	Seat	Silicone		JS3886
4	Nipple	Stainless Steel 1.4301		
5	Nut	Stainless Steel 1.4301		
6	Arm	Stainless Steel 1.4301		
7	Lever	Stainless Steel 1.4301		
8	Bolt	Stainless Steel 1.4301		
9	Pin	Stainless Steel 1.4301		
10	Pin	Stainless Steel 1.4301		
11	Cover	Poliamida PA6		

\*Spare parts available.

## General Dimensions



Ref	Size	Dimensions (mm)		Weight (g)
		ØD	M	
3887 090	3/8"	Ø 90 mm	M-6	75
3887 110	1/2"	Ø 110 mm	M-6	90
3887 160	3/4", 1", 1 1/4"	Ø 160 mm	M-8	290

### Art3887 Buoy - Material: Polished Stainless Steel 304

Ref	Size	DN	PN	Dimensions (mm)				Weight (g)
				A	L	H1±5	H2±10	
3886 03 + 3887 090	3/8"	10	10	33	304	65	235	175
3886 04 + 3887 110	1/2"	15	10	37	415	80	390	260
3886 05 + 3887 160	3/4"	20	10	44	475	120	445	600
3886 06 + 3887 160	1"	25	10	46.5	580	120	530	660
3886 07 + 3887 160	1 1/4"	32	10	52.5	580	120	530	760

H1: Valve closed

H2: Valve open

### Flow Rates in l/hour

Ref	Size (R)	Pressure (bar)						
		1	2	3	4	6	8	10
3886 03	3/8"	1132	1669	1904	2169	2656	2825	3082
3886 04	1/2"	2829	3998	4895	5657	6790	7978	8938
3886 05	3/4"	4838	6842	8370	9677	11805	13993	15289
3886 06	1"	6934	9919	12147	14068	17167	19654	21945
3886 07	1 1/4"	7280	10414	12754	14771	18025	20636	23051