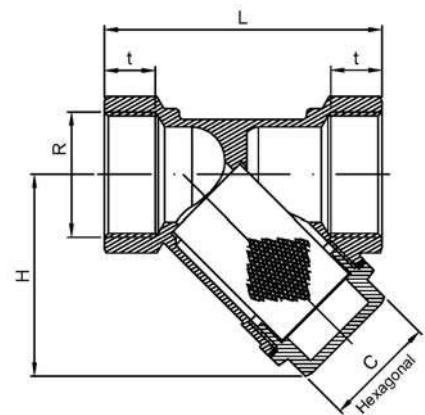
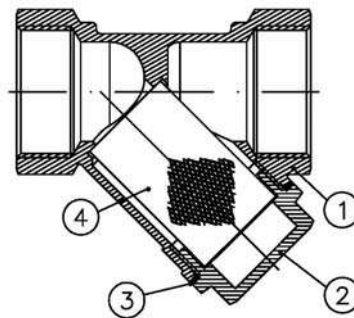


## Art3302 Brass Y-Strainer

### Features

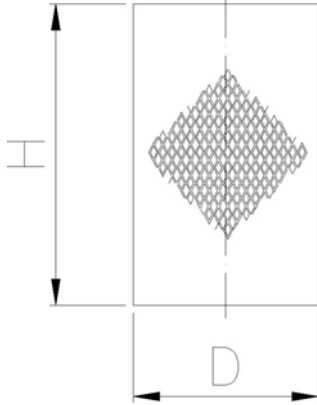
1. Brass construction (see materials list)
2. Gas (BSP) threaded ends female according to ISO 228/1
3. Maximum working pressure 16 bar (PN-16)
4. Working temperature from -20°C to 100°C
5. Sieve in stainless steel AISI 304
6. NBR O-ring cap gasket



N°	Name	Material	Surface Treatment
1	Body	Brass CW617N (1/2" - 3") Brass CS754S (4")	Peened
2	Cap	Brass CW617N	Peened
3	Joint	NBR	
4	Sieve	Stainless Steel 304	

Ref	Size	Sieve	Dimensions (mm)				Weight (Kg)
			L	H	t	C (Hexagonal)	
3302 04	1/2"	500μ.	56,5	38	11,5	20	0,115
3302 05	3/4"	500μ.	66	44	12,5	20	0,195
3302 06	1"	500μ.	74	50	14	25,5	0,265
3302 07	1 1/4"	500μ.	96	66	16,5	35	0,540
3302 08	1 1/2"	500μ.	104	71	17	38	0,610
3302 09	2"	500μ.	125	89	18	46,5	1,150
3302 10	2 1/2"	1200μ.	154	110	22	54	2,100
3302 11	3"	1200μ.	173	120	26	63	2,900
3302 12	4"	1200μ.	210	152	25	80	5,500

## Sieve (Spare Parts)



Sieve Code	Size	Sieve	Dimensions (mm)		Weight (g)
			H	D	
T302XO 04	1/2"	500 $\mu$ .	30,5	18,5	1
T302XO 05	3/4"	500 $\mu$ .	39,5	23	2
T302XO 06	1"	500 $\mu$ .	40	25	3
T302XO 07	1 1/4"	500 $\mu$ .	46,5	33,2	7
T302XO 08	1 1/2"	500 $\mu$ .	48,5	41	8
T302XO 09	2"	500 $\mu$ .	70	50,5	13
T302XO 10	2 1/2"	1200 $\mu$ .	80	62	22
T302XO 11	3"	1200 $\mu$ .	91,5	72,5	36
T302XO 12	4"	1200 $\mu$ .	123	95	53

## Kv Values

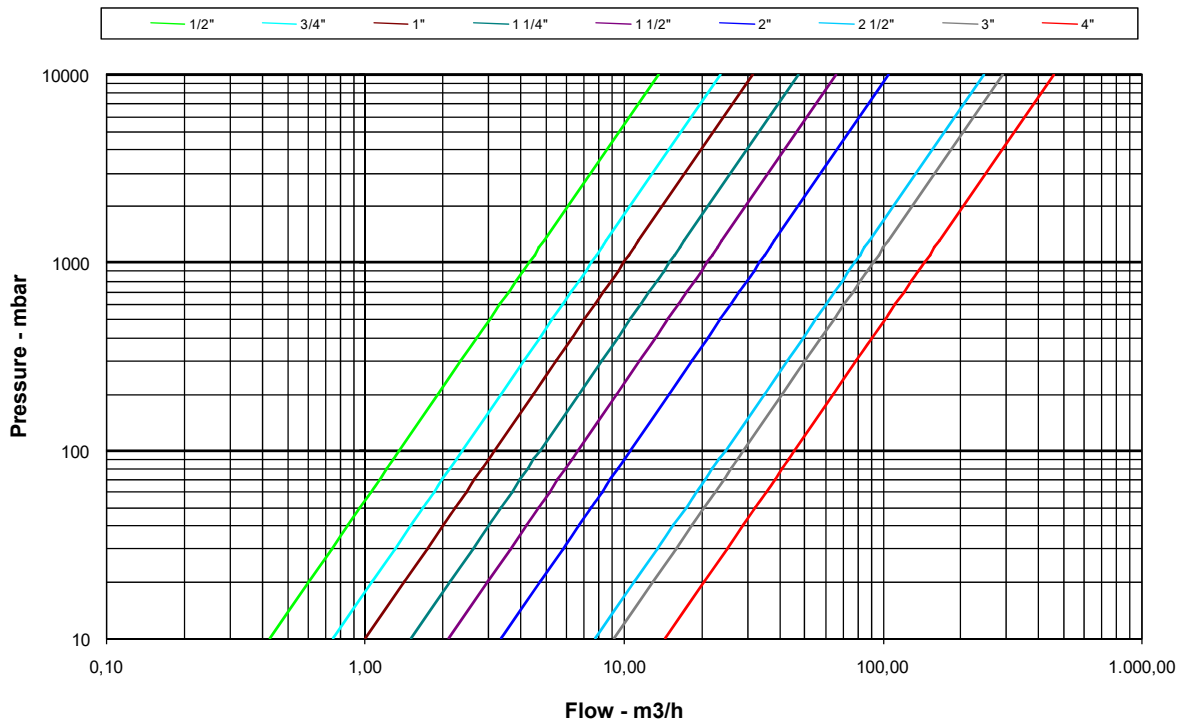
Kv: Water flow rate in cubic meters per hour generating a 1 bar pressure drop across the filter.

Size	1/2"	3/4"	1"	1 1/4"	1 1/2"	2"	2 1/2"	3"	4"
Kv	4.3	7.5	10	15	21	33.5	78	92	145

## Head Loss Chart

Y-Strainer

Water @ 20°C - Horizontal Flow





### Pressure/Temperature Rating

