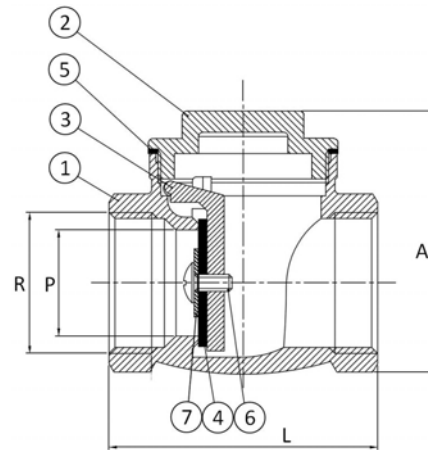


## Art3180 Brass Swing Check Valve

### Features

1. Brass construction according to UNE-EN 12165.
2. Threaded ends (BSP) according to ISO 228/1.
3. Maximum working pressure 12/10/8 bar (PN 12 / PN 10 / PN 8).
4. Working temperature from -20°C to 100°C.
5. NBR Sealing 65 Sh.
6. Horizontal assembling.



N°	Name	Material	Surface Treatment
1	Body	Brass (CW617N)	Peened
2	Bonnet	Brass (CW617N)	Peened
3	Disc	Brass (CW617N)	
4	Disc Gasket	NBR	
5	Bonnet Gasket	Fibre	
6	Screw	Brass	
7	Washer	Stainless Steel 304	

Ref	Size	PN	Dimensions (mm)			Weight (Kg)
			P	A	L	
3180 04	1/2"	12	15	52	49	0,164
3180 05	3/4"	12	20	63	58	0,221
3180 06	1"	12	25	69	70	0,322
3180 07	1 1/4"	10	30	87	80	0,458
3180 08	1 1/2"	10	35	97	88	0,724
3180 09	2"	10	45	110	102	1,010
3180 10	2 1/2"	8	57	110	115	1,476
3180 11	3"	8	60	132	134	2,344
3180 12	4"	8	90	163	163	3,792



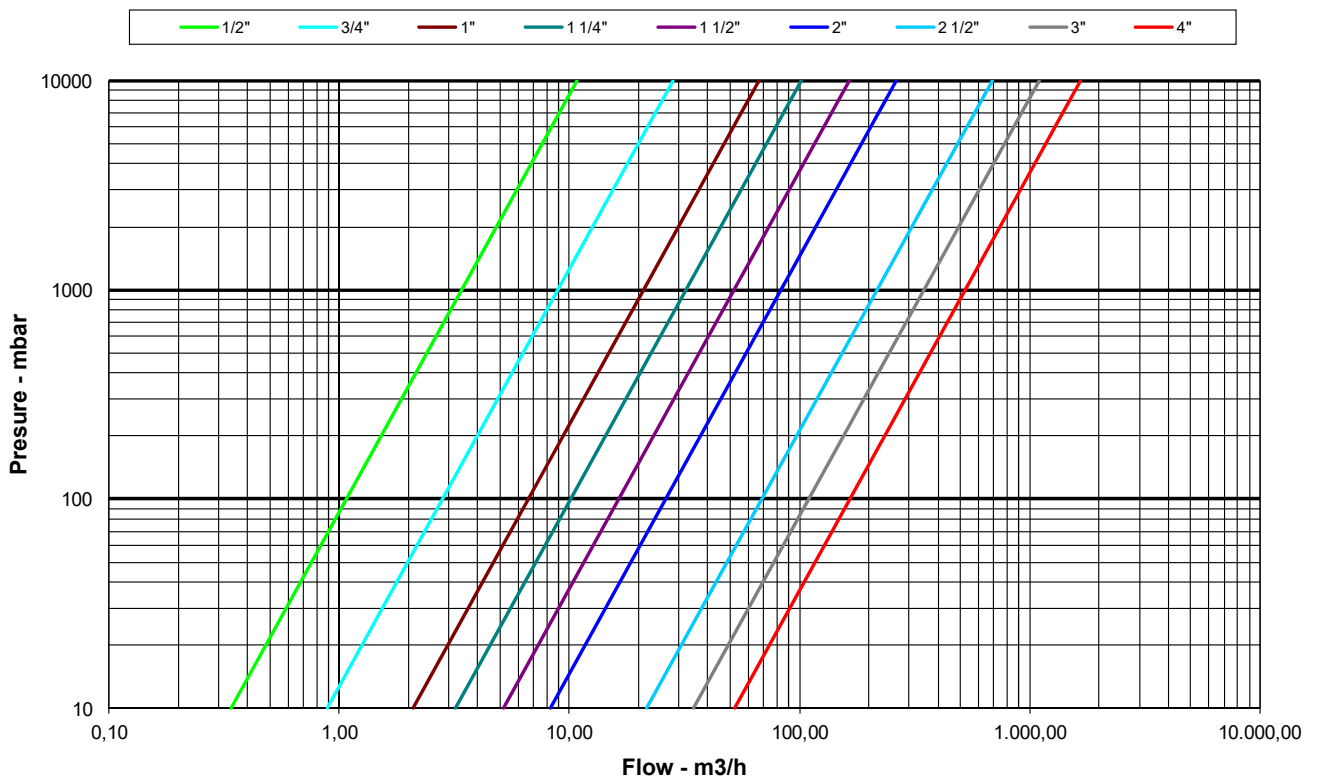
### Kv Values

Kv: Water flow rate in cubic meters per hour generating a 1 bar pressure drop across the valve.

Size	1/2"	3/4"	1"	1 1/4"	1 1/2"	2"	2 1/2"	3"	4"
Kv	3.4	8.9	21	32	52	83	217	348	525

### Head Loss Chart

Art3180 Threaded Check Valve





### Pressure/Temperature Rating

