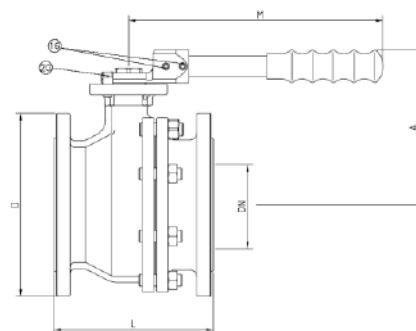
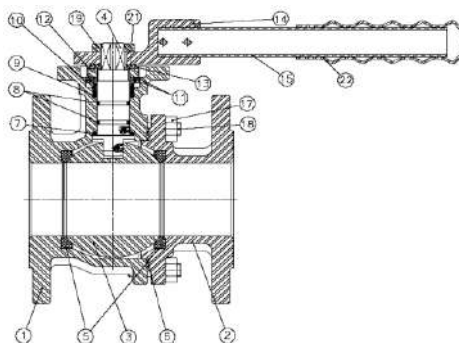


## Art2529 Stainless Steel Full Bore Ball Valve (PN40 Flanged)

### Features

1. Full port ball valve, 2 pieces.
2. Flanged ends according to EN 1092 PN 40.
3. Made of Stainless Steel 1.4408 (CF8M).
4. Face to Face according to EN 558 series 27.
5. Ball seats PTFE + 15 % G.F.  
(please ask for other materials)
6. FPM (Viton) stem O' ring.
7. Blow-out proof stem.
8. Direct mounting actuator according to ISO 5211.
9. Block System included.
10. Anti-static device.
11. Fire-safe design.
12. Max. Working pressure 40 bar.
13. Working Temperature  $-30\text{ }^{\circ}\text{C} + 180\text{ }^{\circ}\text{C}$ .

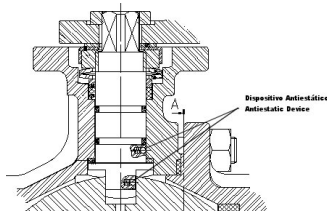


N°	Name	Material	Surface Treatment	Spare Part Code
1	Body	Stainless Steel 1.4408	Shot Blasting	
2	Cap	Stainless Steel 1.4408	Shot Blasting	
3*	Ball	Stainless Steel 1.4408	Polished	2907 ( $\leq 4''$ ) 2806 (5'') 2914 (6'')
4	Stem	Stainless Steel 316		
5*	Ball Seat	PTFE + 15% Graphite		2909 2824 (5'')
6*	Gasket	Stainless Steel + Graphite PTFE		2909 2824 (5'')
7*	Thrust Washer	PTFE + Graphite PTFE		2909 2824 (5'')
8*	O-Ring	FPM		2909 2824 (5'')
9*	Stem Packing	PTFE		2909 2824 (5'')
10	Gland	Stainless Steel 304		
11	Spring Washer	Stainless Steel 301		
12	Nut	Stainless Steel 304		
13	Lock Washer	Stainless Steel 304		

N°	Name	Material	Surface Treatment	Spare Part Code
14	Body Handle	Stainless Steel 1.4408	Shot Blasting	
15	Handle	Stainless Steel 304		
16	Stud Bolt	Stainless Steel 304		
17	Nut	Stainless Steel 304		
18	Stud Bolt	Stainless Steel 304		
19	Nut	Stainless Steel 304		
20	Stopper	Stainless Steel 304		
21	Washer	Stainless Steel 304		
22	Handle Sleeve	Vinyl		

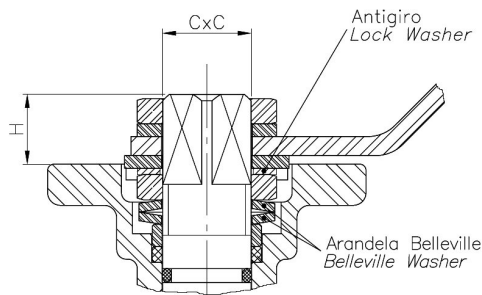
\*Repair Kit Parts

## Anti-static Device



This ensures electrical continuity between the body, ball & stem, this is of special need in flammable fluids.

## Stem Detail



### Lock Washer

Prevents unthreading of stem nut in high cycle automation applications.

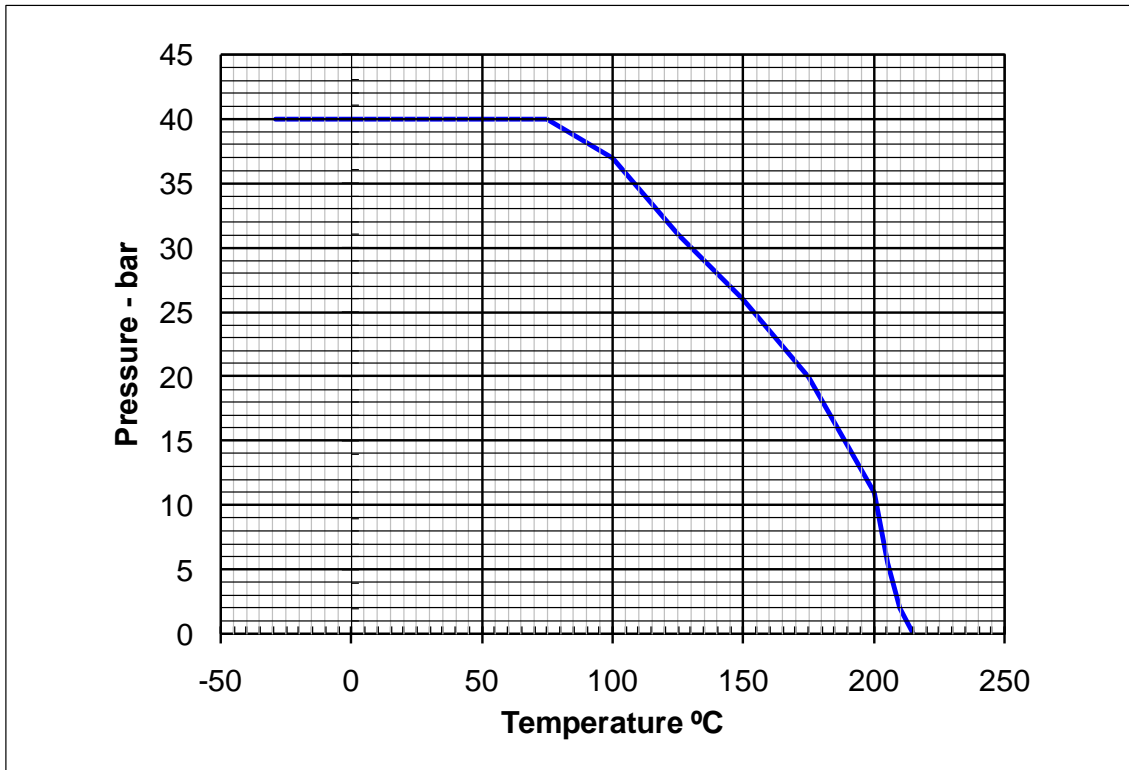
### Belleville Washers

Belleville washers provide constant "live load" on the stem seals, assuring a tight seal even varying service parameters.

## General Dimensions

Ref	Size	DN	PN	Dimensions (mm)						ISO 5211	Weight (Kg)
				D	A	L	M	C x C	h		
2529 10	2 ½"	65	40	185	155	170	380	17 x 17	21	F07/F10	15,950
2529 11	3"	80	40	200	165	180	380	17 x 17	19	F07/F10	20,470
2529 12	4"	100	40	235	180	190	380	17 x 17	19	F07/F10	29,380
2529 13	5"	125	40	270	200	325	600	27 x 27	44	F10/F12	50,000
2529 14	6"	150	40	300	225	350	620	27 x 27	34	F10/F12	71,500

## Pressure/Temperature Rating



## Kv Values

Kv (m<sup>3</sup>/h): Water flow rate in cubic meter per hour generating a 1 bar pressure drop across the valve.

2 ½"	3"	4"	5"	6"
410	900	1450	2150	3700

## Head Loss Chart

