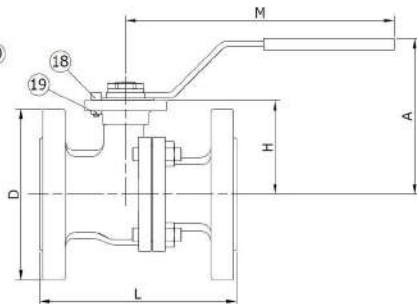
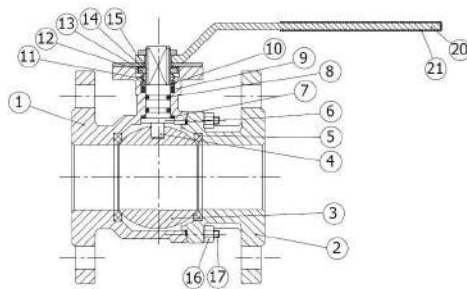


Art2525 Cast Iron Full Bore Ball Valve (PN16 Flanged)

Features

1. Full port ball valve, 2 pieces.
2. Flanged ends according to EN 1092 PN16.
3. Made of Ductile Iron EN-GJS-400 (GGG-40).
4. Face to Face according to EN 558 series 27.
5. Ball seats PTFE + 15 % FG
(please ask for other materials)
6. Ball and Stem made of AISI 304.
7. O'ring in the stem FKM (Viton).
8. Blow-out proof stem.
9. Direct Mounting for actuator acc. to ISO 5211.
10. Block System.
11. Max. Working pressure 16 bar.
12. Working Temperature $-30\text{ }^{\circ}\text{C} + 180\text{ }^{\circ}\text{C}$.

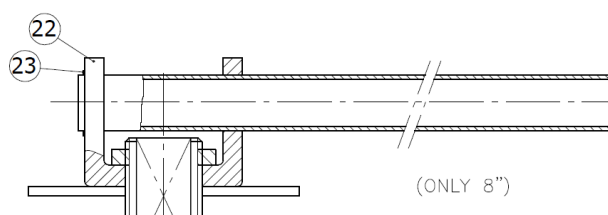


N°	Name	Material	Surface Treatment	Spare Part Code
1	Body	Ductile Iron EN-GJS-400	Externally Painted	
2	Cap	Ductile Iron EN-GJS-400	Externally Painted	
3	Ball	Stainless Steel 1.4308	Polished	
4	Stem	Stainless Steel 304		
5*	Ball Seat	PTFE + 15% Graphite		2825
6*	Gasket	PTFE		2825
7*	Thrust Washer	PTFE		2825
8*	O-Ring	FKM		2825
9*	Stem Packing	PTFE		2825
10	Gland	Stainless Steel 304		
11	Spring Washer	Stainless Steel 301		
12	Nut	Stainless Steel 304		

*Spare parts available

13	Lock Washer	Stainless Steel 304		
14	Washer	Stainless Steel 304		
15	Stop Plate	Stainless Steel 304		
16	Stud Bolt	Stainless Steel 304		
17	Nut	Stainless Steel 304		
18	Stopper Pin	Stainless Steel 304		
19	Nut	Stainless Steel 304		
20	Handle	Carbon Steel	Zinc Plated	
21	Handle Sleeve	Vinyl		
22	Handle Support	Carbon Steel	Zinc Plated	
23	Retainer	Stainless Steel 304		

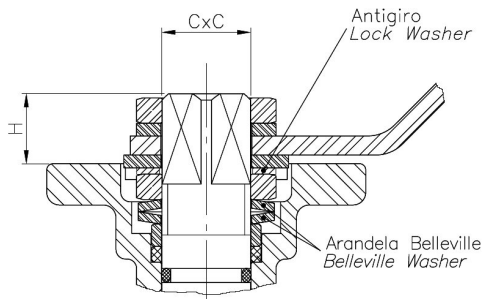
Handle Detail (8" Only)



General Dimensions

Ref	Size	PN	Dimensions (mm)							ISO 5211	Weight (Kg)
			D	A	L	M	H	CxC	h		
2525 04	1/2"	16	95	80	115	130	50	9x9	9,5	F03/F04	2,300
2525 05	3/4"	16	105	80	120	130	55	9x9	9,5	F03/F04	2,800
2525 06	1"	16	115	90	125	170	60	11x11	11,5	F04/F05	4,100
2525 07	1 1/4"	16	140	102	130	170	74	11x11	11,5	F04/F05	5,400
2525 08	1 1/2"	16	150	110	140	220	78	14x14	15,5	F05/F07	6,900
2525 09	2"	16	165	120	150	220	86	14x14	15,5	F05/F07	9,300
2525 10	2 1/2"	16	185	140	170	284	98	17x17	18,5	F07/F10	14,000
2525 11	3"	16	200	150	180	284	114	17x17	18,5	F07/F10	18,300
2525 12	4"	16	220	180	190	360	136	17x17	18,5	F07/F10	25,300
2525 13	5"	16	250	215	325	447	165	17x17	18,5	F07/F10	37,000
2525 14	6"	16	285	240	350	560	190	22x22	23	F10/F12	49,500
2525 16	8"	16	340	320	400	850	229	27x27	25	F12/F14	98,000

Stem Detail



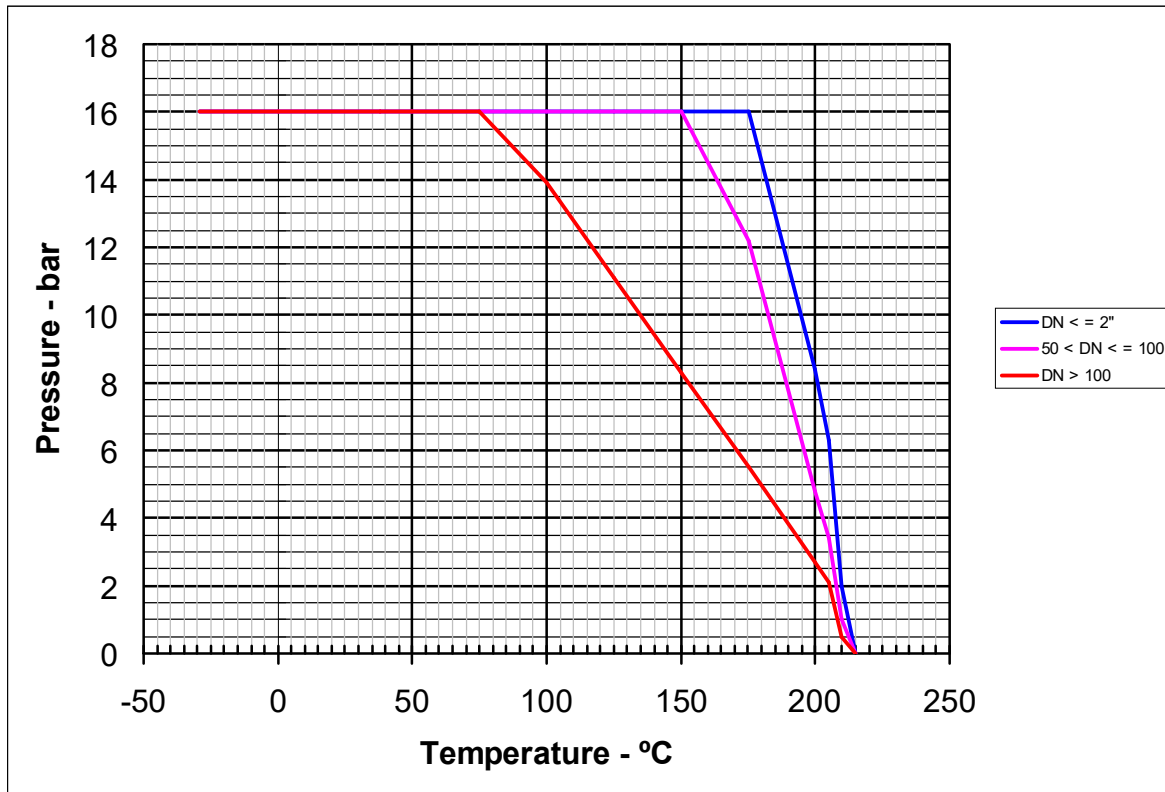
Lock Washer

Prevents unthreading of stem nut in high cycle automation applications.

Belleville Washers

Belleville washers provide constant "live load" on the stem seals, assuring a tight seal even varying service parameters.

Pressure/Temperature Rating



Kv Values

Kv: Flow rate of water in cubic meter per hour (m³/h) that will generate a pressure drop of 1 bar across the valve.

1/2"	3/4"	1"	1 1/4"	1 1/2"	2"	2 1/2"	3"	4"	5"	6"	8"
19	40	65	110	180	365	495	970	1620	2530	4050	8650

Head Loss Chart

