

Art2101 Ductile Iron Wafer Butterfly Valve (PTFE Seat)

Features

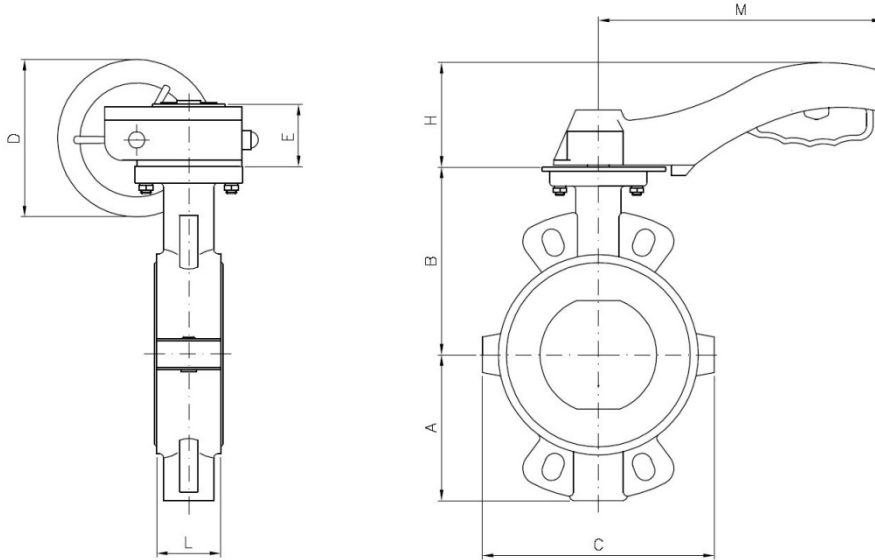
1. Butterfly valve wafer type.
2. Ductile iron EN-GJS-400 (GGG-40) split body allows installation between ANSI 150 and EN 1092 PN 10/16 pipe flanges.
3. PTFE body seat on EPDM backseat.
4. Butterfly disc of Stainless Steel 1.4408 (CF8M) polished.
5. Stem made of AISI 316.
6. Actuator mounting plate according to ISO 5211.
7. Face to face according to EN 558-1 Series 20 (DIN 3202 K1).
8. Max. working pressure 10 bar.
9. Working Temperature $-25^{\circ}\text{C} +180^{\circ}\text{C}$.



N°	Name	Material	Surface Treatment	Spare Part Code
1	Lower Body	Ductile Iron EN-GJS-400	Epoxy	
2	Upper Body	Ductile Iron EN-GJS-400	Epoxy	
3	Upper Stem	Stainless Steel 316		
4	Lower Stem	Stainless Steel 316		
5*	Seat	PTFE + EPDM		ET2101
6	Disc	Stainless Steel 1.4408	Polished	
7	Hub	Nylon		
8	Spring Washer	Steel	Dacromet	
9	O-Ring	FKM		
10	Bush	RPTFE		
11	Washer	Steel	Galvanised	
12	Seeger Ring	Steel	Galvanised	
13	Handle	Aluminium	Epoxy	
14	Plate	Steel	Galvanised	
15	Screw-Nut	Steel	Galvanised	
16	Screw	Steel	Galvanised	

*Available spare parts

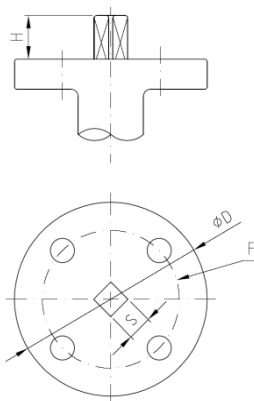
General Dimensions



Ref	Medida/ Size	DN	PN	Dimensiones / Dimensions (mm)								Peso / Weight (Kg)
				L	A	B	C	D	E	H	M	
2101 09	2"	50	10	43	80	140	119	***	***	65	172	2,900
2101 10	2 ½"	65	10	46	89	150	131	***	***	65	172	3,180
2101 11	3"	80	10	46	95	158	145	***	***	65	172	3,550
2101 12	4"	100	10	52	114	176	180	***	***	78	216	5,530
2101 13	5"	125	10	56	127	190	202	***	***	78	216	6,875
2101 14	6"	150	10	56	139	210	230	150	72	***	***	8,250
2101 16	8"	200	10	60	175	236	295	300	85	***	***	17,400

*** Gearbox operation on sizes 6" & above

Top Flange Dimensions



Ref	F (ISO 5211)	S	D	H	Torque Nm
2101 09	F05	11	70	26	20
2101 10	F05	11	70	26	25
2101 11	F05	11	70	26	30
2101 12	F07	14	90	29	60
2101 13	F07	14	90	29	100
2101 14	F07	14	90	32	180
2101 16	F10	17	125	38	300

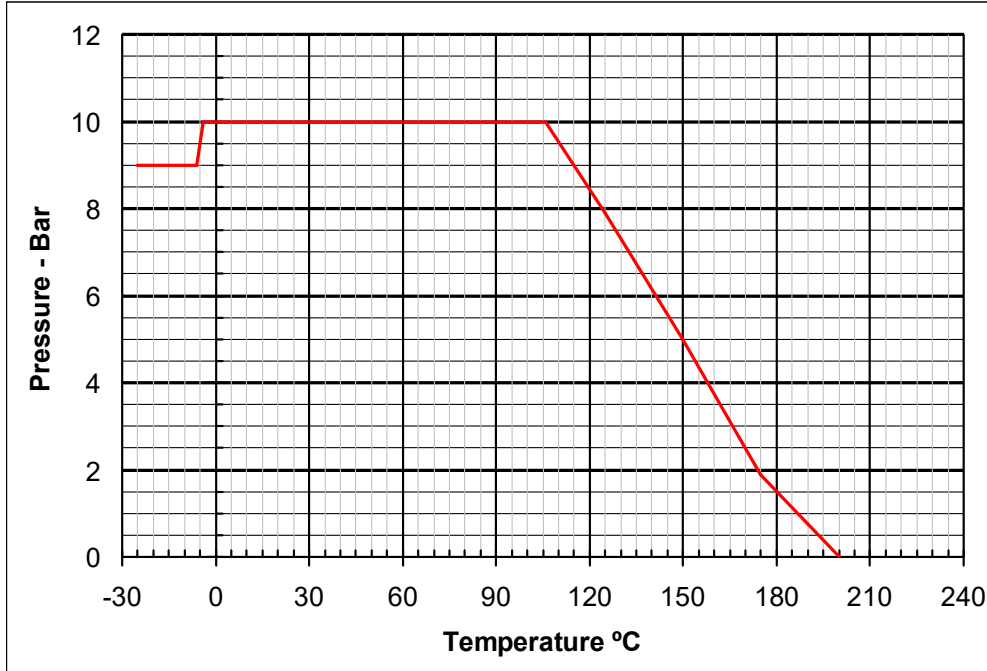
Head losses (Kv) By Disc Position

DN	Disc Position (degrees)								
	90°	80°	70°	60°	50°	40°	30°	20°	10°
50	125	99	73	53	37	23	14	6	1
65	244	193	141	93	58	37	21	10	1
80	399	315	231	133	83	53	30	13	2
100	727	606	429	237	148	94	54	23	3
125	1190	991	670	370	232	147	85	37	4
150	1600	1334	887	490	306	195	112	48	5
200	2868	2458	1610	935	588	364	208	88	10

Kv Values

Kv (m³/h): Flow rate of water in cubic meter per hour that will generate a pressure drop of 1 bar across the valve.

Pressure/Temperature Rating



Precautions For Installation

- Do not assemble the butterfly valve in total closed position.
- Check the good parallelism of the flanges.
- Do not insert others gasket between flange and valve.
- Open completely the valve before tightening flanges.