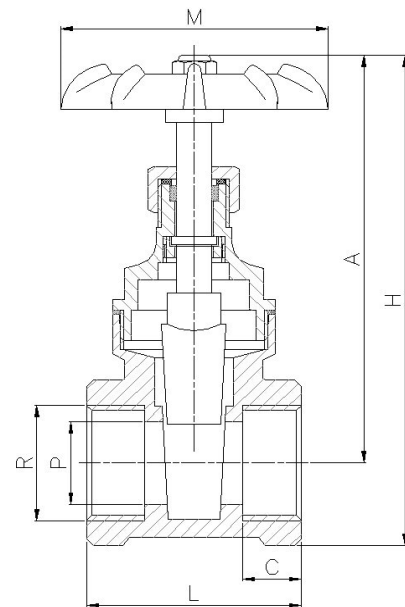
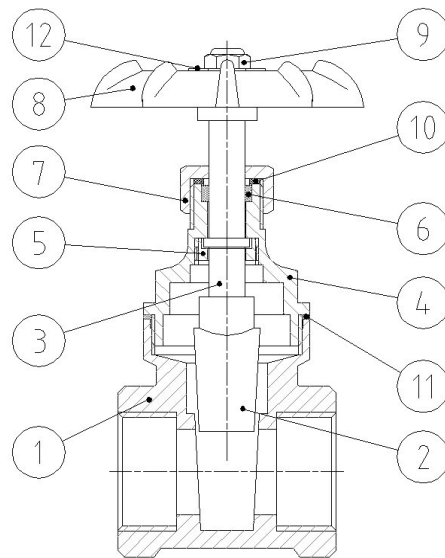


Art3221 Brass Gate Valve

Features

1. Gate valve.
2. Max. working pressure 20 bar (PN 20).
3. Brass according to UNE-EN 12165.
4. Thread ends gas (BSP) female-female according to ISO 228/1.
5. Stem packing: PTFE.
6. Suitable for hot, cold water and different oils.
7. Working temperature from 0°C to 180°C.
8. Aluminium painted handwheel.



Nº	Name	Material	Surface Treatment
1	Body	Brass (CW617N)	Peened
2	Wedge	Brass (CW617N)	
3	Stem	Brass (CW617N)	
4	Bonnet	Brass (CW617N)	Peened
5	Screwed Ring	Brass	
6	Packing Ring	PTFE	
7	Packing Nut	Brass	
8	Handwheel	Aluminium	Painted
9	Nut	Steel	
10	Plate	Brass	
11	Gasket	Fibre	
12	Plate	Aluminium	Painted



Ref	Size	PN	Dimensions (mm)						Weight (Kg)
			P	L	C	A	H	M	
3221 04	1/2"	20	13	45,5	13	80	94,5	55	0,247
3221 05	3/4"	20	20	50	14,5	93	111,5	60	0,375
3221 06	1"	20	24	56	17	105	127	65	0,500
3221 07	1 1/4"	20	32	61	17	122,5	150,5	75	0,778
3221 08	1 1/2"	20	37	65	19	132,5	163,5	80	1,010
3221 09	2"	20	47	74	21,5	150,5	189	90	1,490
3221 10	2 1/2"	20	59	81	22,5	185,5	232,3	110	2,285
3221 11	3"	20	70	83	22,5	205	260,8	120	3,125
3221 12	4"	20	92	102	27,5	265	335	140	6,135

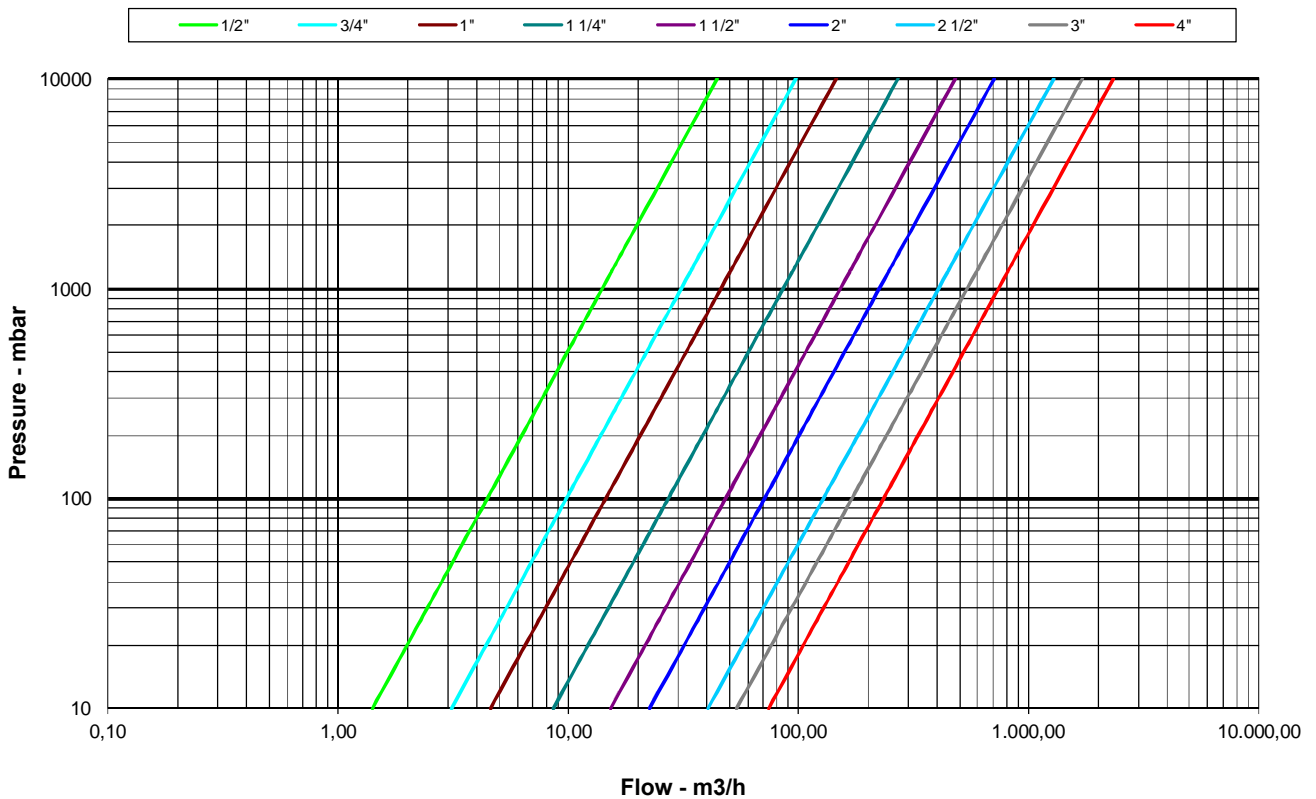
Kv Values

Kv: Water flow rate in cubic meters per hour generating a 1 bar pressure drop across the valve.

Size	1/2"	3/4"	1"	1 1/4"	1 1/2"	2"	2 1/2"	3"	4"
kv	14	31	46	86	152	225	405	540	750

Head Loss Chart

Threaded Full Bore Ball Valves





Pressure/Temperature Rating

