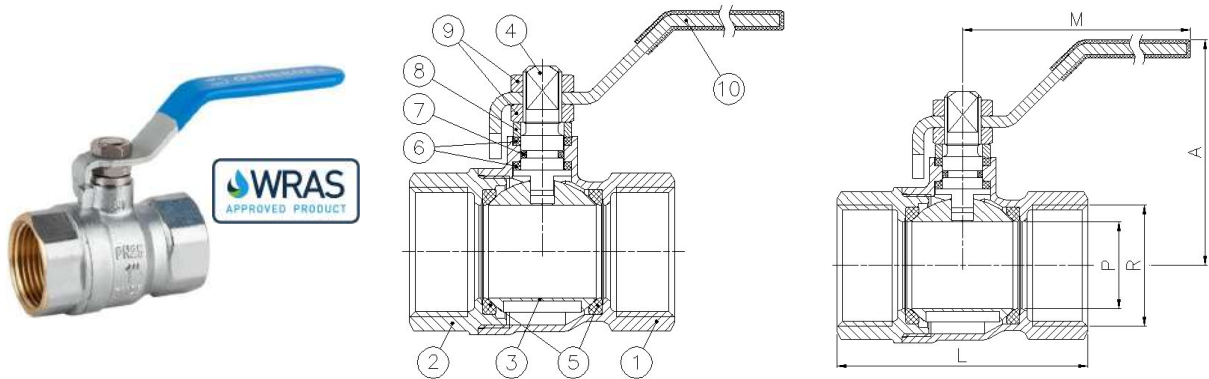


## Art3029 2-Piece Full Bore Brass Ball Valve

### Features

1. Ball valve with full bore
2. Brass acc./ UNE-EN12165 chrome plated
3. Gas (BSP) threaded F-Fends acc/ ISO 228/1
4. Working by means of steel lever handle
5. Working temperature from -20°C to 110°C
6. Maximum working pressure 25 bar (PN 25)
7. PTFE Seats
8. Approved product WRAS



Nº	Name	Material	Surface Treatment
1	Body	Brass (CW617N)	Peened + Chromed
2	Cap	Brass (CW617N)	Peened + Chromed
3	Ball	Brass (CW617N)	Chrome Plated
4	Stem	Brass (CW617N)	Chrome Plated
5	Ball Seats	PTFE	
6	Stem Packing	PTFE	
7	O-Ring	NBR	
8	Stem Ring	Brass	Chrome Plated
9	Nut	Brass	Chrome Plated
10	Handle	Steel	Dacromet®

Ref	Size	DN	P	Dimensions (mm)			Weight (Kg)
				A	L	M	
3029 02	1/4"	10	10	46	40	84	0,106
3029 03	3/8"	10	10	46	43	84	0,113
3029 04	1/2"	15	14	47	49	84	0,151
3029 05	3/4"	20	19	58	56	98	0,270
3029 06	1"	25	24	61	68	98	0,383
3029 07	1 1/4"	32	30	74	80	126	0,611
3029 08	1 1/2"	40	37	80	89	126	0,807
3029 09	2"	50	46,5	91	104	158	1,333
3029 10	2 1/2"	65	58,5	101	137	158	2,431
3029 11	3"	80	72	131	158	196	4,048
3029 12	4"	100	90	145	183	265	5,996

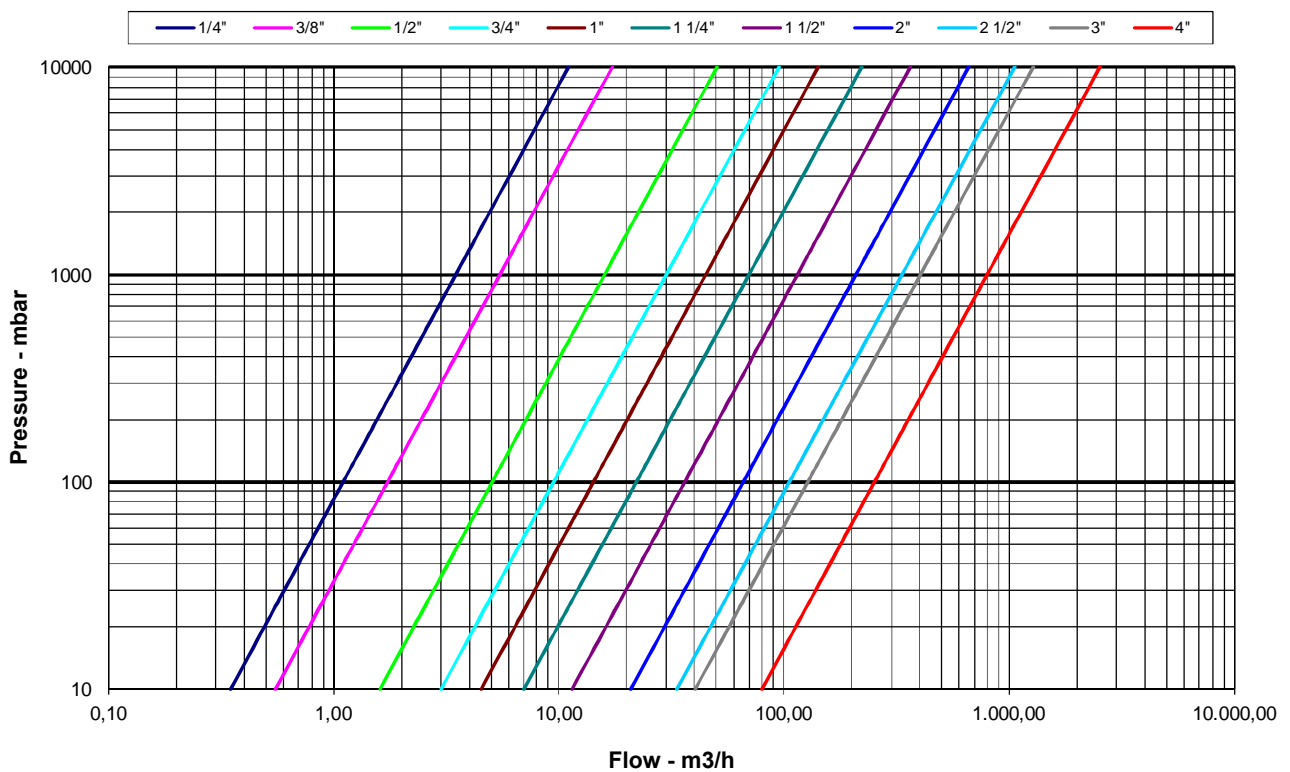


### Kv Values

Kv: Water in cubic meters per hour (m<sup>3</sup>/h) generating a 1 bar pressure drop across the valve.

Size	1/4"	3/8"	1/2"	3/4"	1"	1 1/4"	1 1/2"	2"	2 1/2"	3"	4"
Kv	3.5	5.5	16	30	45	70	115	210	335	405	800

### Head Loss Chart Threaded Full Bore Ball Valves





### Pressure/Temperature Rating

