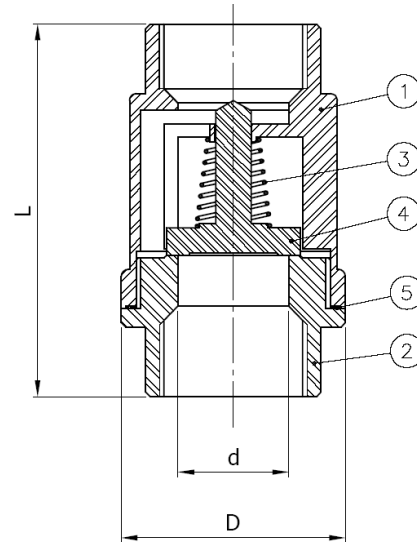


Art2416 Single Disk Spring Check Valve

Features

1. Single disk check valve.
2. Threaded ends acc. to ISO 7-1 (EN 10226-1).
3. Made of Stainless Steel 1.4408 (CF8M).
4. Disk made of Stainless Steel 1.4408 (CF8M).
5. Spring made of Stainless Steel AISI 316.
6. Small dimensions.
7. Metal to metal sealing.
8. Max. working pressure 63 bar.
9. Working Temperature -20°C +240°C.



N°	Name	Material	Surface Treatment
1	Body	Stainless Steel 1.4408	Shot Blasting
2	Cap	Stainless Steel 1.4408	Shot Blasting
3	Spring	Stainless Steel 316	
4	Disk	Stainless Steel 1.4408	Shot Blasting
5	Gasket	PTFE	

Kv Values

Kv: Water flow rate in cubic meter per hour (m³/h) generating a 1 bar pressure drop across the valve.

1/4"	3/8"	1/2"	3/4"	1"	1 1/4"	1 1/2"	2"	2 1/2"	3"	4"
0.18	1.11	3.3	7.1	12.7	14.1	22.5	31.5	54	75	110

General Dimensions

Ref	Size	DN	PN	Dimensions (mm)			Opening Pressure (mbar)	Weight (Kg)
				d	D	L		
2416 02	1/4"	8	63	8	30,5	53	80~90	0,170
2416 03	3/8"	10	63	10	30,5	53	60~70	0,160
2416 04	1/2"	15	63	15	37	56	55~65	0,210
2416 05	3/4"	20	63	20	42	63	50~60	0,290
2416 06	1"	25	63	25	48	74	45~50	0,410
2416 07	1 1/4"	32	63	30	58	81	35~40	0,660
2416 08	1 1/2"	40	63	38	70	91	25~30	0,990
2416 09	2 "	50	63	47	82	97	25~30	1,420
2416 10	2 1/2"	65	63	61	102,5	118	25~30	2,440
2416 11	3"	80	63	75	120	138	20~25	3,800
2416 12	4"	100	63	94	150	158	20~25	6,600

Pressure/Temperature Rating

