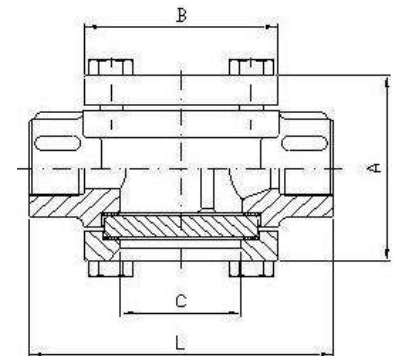
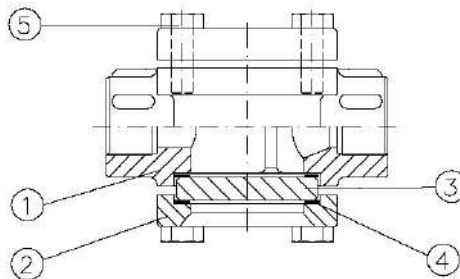


Art2240 Stainless Steel Double Window Sight Glass

Features

1. Sight Glass.
2. Threaded ends according ISO 7-1 (EN10226-1).
3. Made of Stainless Steel 1.4408 (CF8M).
4. Max. Working pressure 16 bar.
5. Tempered Soda-Lime glass (DIN 8902).
6. Normal Working temperature: 130 °C.
Maximum Temperature (short-term): 160°C.
Thermal Shock (DIN 52323): 120°C.



Nº	Name	Material	Surface Treatment	Ref
1	Body	Stainless Steel 1.4408	Shot Blasting	
2	Cover	Stainless Steel 1.4408	Shot Blasting	
3*	Glass	Tempered Soda-Lime Glass		C2250
4*	Gasket	PTFE		J2250
5	Bolt	Stainless Steel 304		

*Spare parts available.

General Dimensions

Ref	Size	PN	Dimensions (mm)				Glass	Weight (Kg)
			L	A	B	C		
2240 04	1/2"	16	100	70	64	40	Ø 50 x 8	1,100
2240 05	3/4"	16	100	70	64	40	Ø 50 x 8	1,050
2240 06	1"	16	120	88	72	50	Ø 63 x 10	1,600
2240 07	1 1/4"	16	120	88	72	50	Ø 63 x 10	1,750
2240 08	1 1/2"	16	150	123	96	65	Ø 80 x 12	3,850
2240 09	2"	16	150	123	96	65	Ø 80 x 12	4,000

Pressure/Temperature Rating

