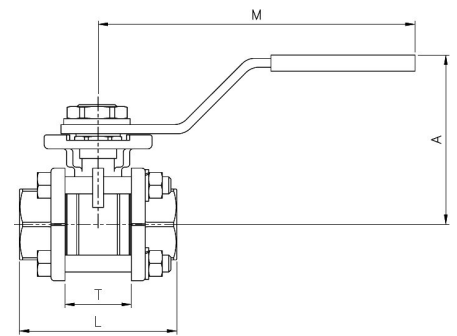
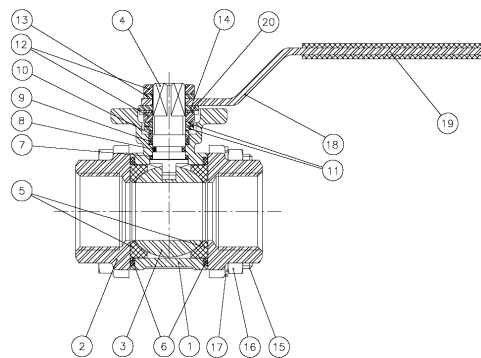


Art2025 3-Piece Stainless Steel Ball Valve

Features

1. Stainless steel full port ball valve, 3 pieces.
2. Thread ends according to ISO 7-1 (EN 10226-1).
3. Made of stainless steel 1.4408 (CF8M).
4. Ball seats PTFE + 15 % G.F.
(please ask for other materials)
5. O'ring in the stem FKM (Viton).
6. Stem gasket PTFE + 15 % Graphite.
7. Locking system.
8. Direct mounting actuator ISO 5211.
9. Blow-out proof stem.
10. Max. working pressure 63 bar.
11. Working Temperature $-25\text{ }^{\circ}\text{C} + 180\text{ }^{\circ}\text{C}$.

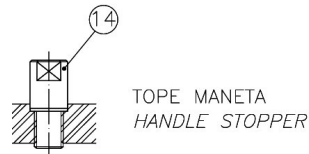


N°	Name	Material	Surface Treatment	Spare Part Code
1	Body	Stainless Steel 1.4408	Shot Blasting	
2	Cap	Stainless Steel 1.4408	Shot Blasting	
3*	Ball	Stainless Steel 1.4408	Polishing	2907/2904 (4")
4*	Stem	Stainless Steel 316		2905
5*	Ball Seat	PTFE + 15% Graphite		2820
6*	Gasket	PTFE + 15% Graphite		2820
7*	Thrust Washer	PTFE + 15% Graphite		2820
8*	O-Ring	FKM		2820
9*	Stem Packing	PTFE		2820
10	Gland	Stainless Steel 304		
11	Belleville Washer	Stainless Steel 301		
12	Nut	Stainless Steel 304		
13	Washer	Stainless Steel 304		
14	Stopper	Stainless Steel 304		
15	Bolt	Stainless Steel 304		
16	Nut	Stainless Steel 304		

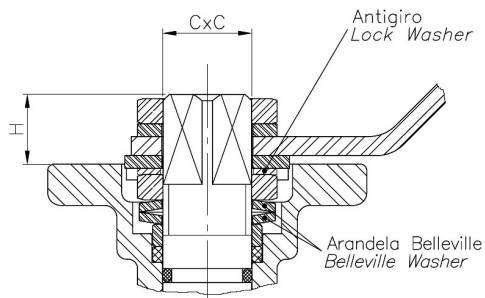
Nº	Name	Material	Surface Treatment	Spare Part Code
17	Grover Washer	Stainless Steel 304		
18	Handle	Stainless Steel 304		
19	Handle Sleeve	Vinyl		
20	Lock Washer	Stainless Steel 304		

*Spare parts available

Sizes 2 1/2" - 4" Only



Stem Detail



Lock Washer

Prevents unthreading of stem nut in high cycle automation applications.

Belleville Washers

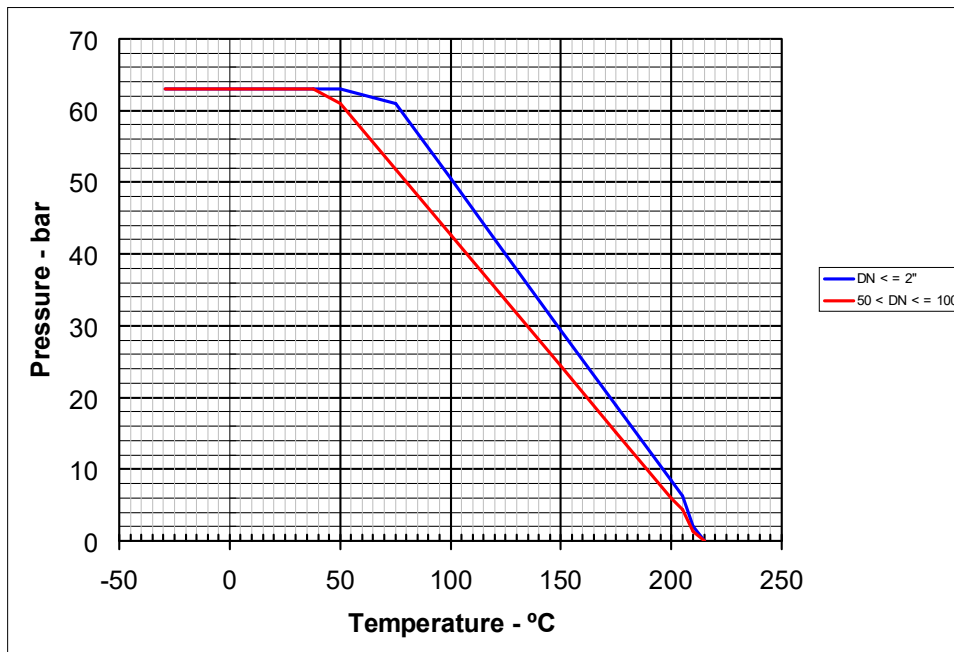
Belleville washers provide constant "live load" on the stem seals, assuring a tight seal even varying service parameters.

General Dimensions

Ref	Size	PN	Port	Dimensions (mm)				Weight (Kg)
				A	L	M	T	
2025 02	1/4"	63	11	60	47.6	112	23	0.390
2025 03	3/8"	63	12.7	60	47.6	112	23	0.380
2025 04	1/2"	63	15	60	56	112	24	0.440
2025 05	3/4"	63	20	70	73	138	30	0.820
2025 06	1"	63	25	70	82	138	33.5	1.020
2025 07	1 1/4"	63	32	88	91	160	41.5	1.790
2025 08	1 1/2"	63	40	94	104	205	51.5	2.460
2025 09	2"	63	50	100	120	205	63	3.470
2025 10	2 1/2"	63	65	150	155	330	83.5	8.500
2025 11	3"	63	80	165	182	330	100	12.400
2025 12	4"	63	100	175	220	340	118.5	19.650

Ref	Size	PN	Dimensions (mm)		
			H	C x C	ISO 5211
2025 02	1/4"	63	10	9 x 9	F-03
2025 03	3/8"	63	10	9 x 9	F-03
2025 04	1/2"	63	11	9 x 9	F-03/F-04
2025 05	3/4"	63	11	11 x 11	F-04/F-05
2025 06	1"	63	11	11 x 11	F-04/F-05
2025 07	1 1/4"	63	15	14 x 14	F-05/F-07
2025 08	1 1/2"	63	15	14 x 14	F-05/F-07
2025 09	2"	63	15	14 x 14	F-05/F-07
2025 10	2 1/2"	63	19	17 x 17	F-07/F-10
2025 11	3"	63	19	17 x 17	F-07/F-10
2025 12	4"	63	19	17 x 17	F-07/F-10

Pressure/Temperature Rating



Kv Values

Kv: Flow rate of water in cubic meter per hour (m³/h) that will generate a pressure drop of 1 bar across the valve.

1/4"	3/8"	1/2"	3/4"	1"	1 1/4"	1 1/2"	2"	2 1/2"	3"	4"
6	10	24	43	83	130	205	340	520	1100	1820

