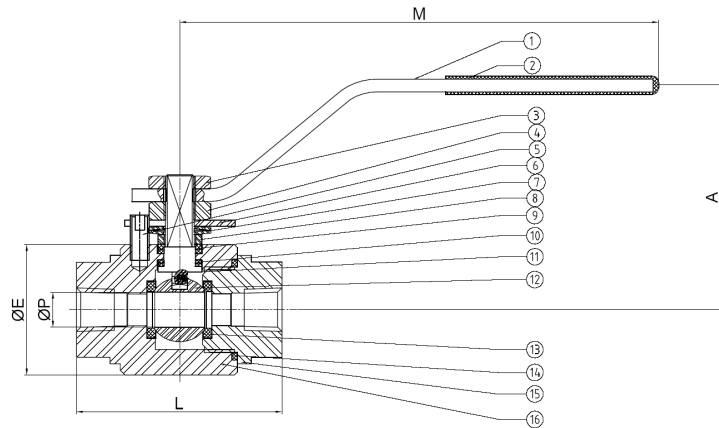


## Art2007 High Pressure Full Bore Carbon Steel Ball Valve

### Features

1. High Pressure Ball Valve.
2. Made of Carbon steel ASTM A105.
3. Gas (BSP) female threads acc. to ISO 228/1.
4. Ball Seat made of PEEK.
5. Anti-static device.
6. Max. Working pressure 255 bar / 3700 PSI.  
(ASME B16.34 Class 1500)
7. Working Temperature -30°C +250°C.



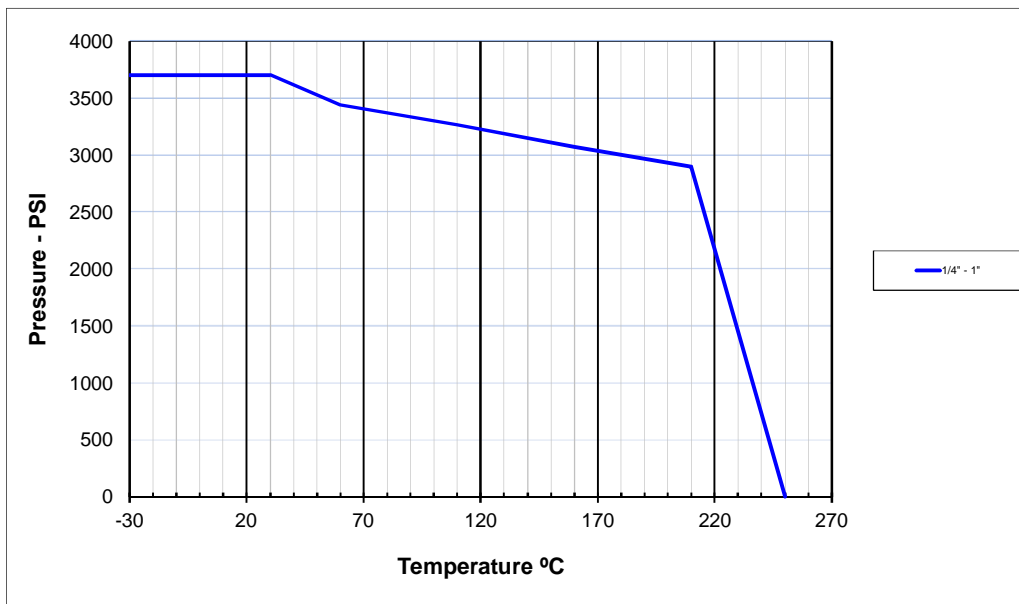
Nº	Name	Material	Surface Treatment
1	Handle	Stainless Steel 201	
2	Handle Sleeve	Vinyl	
3	Handle Nut	Stainless Steel 304	
4	Stem Nut	Stainless Steel 304	
5	Stopper Bolt	Stainless Steel 304	
6	Stopper Plate	Stainless Steel 201	
7	Belleville Washer	Stainless Steel 301	
8	Packing Nut	Stainless Steel 304	
9	Stem Packing	PTFE	
10	Trust Washer	PTFE	
11	Stem	Stainless Steel 304	
12	Ball	Stainless Steel 304	
13	Ball Seat	PEEK	
14	O-Ring	FKM	
15	Cap	ASTM A-105	Zinc Plated
16	Body	ASTM A-105	Zinc Plated



### General Dimensions

Ref	Size	PN (PSI)	Dimensions (mm)					Weight (Kg)
			P	A	L	M	E	
2007 02	1/4"	3700	10	70	65	152	41	0,650
2007 03	3/8"	3700	10	70	65	152	41	0,630
2007 04	1/2"	3700	15	74	76	152	49	0,900
2007 05	3/4"	3700	20	87	91	187	59	1,500
2007 06	1"	3700	25	92	100	187	69	2,200

### Pressure/Temperature Ratings



### Kv Values

Kv: Flow rate of water in cubic meter per hour that will generate a pressure drop of 1 bar across the valve.

1/4"	3/8"	1/2"	3/4"	1"
6	10	24	43	83