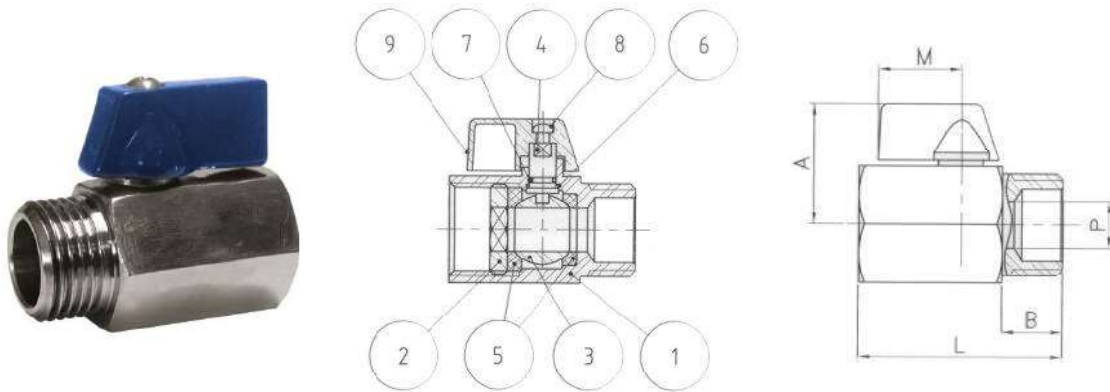


## Art2005 Stainless Steel Monoblock Ball Valve (Male/Female)

### Features

1. Monoblock ball valve.
2. Thread ends M-F according to ISO 7-1 (EN 10226-1).
3. Reduced bore.
4. Made of stainless steel 1.4408 (CF8M).
5. External polished.
6. Painted Aluminium handle.
7. Max. Working pressure 63 bar.
8. Working Temperature  $-25\text{ }^{\circ}\text{C}$   $+180\text{ }^{\circ}\text{C}$ .

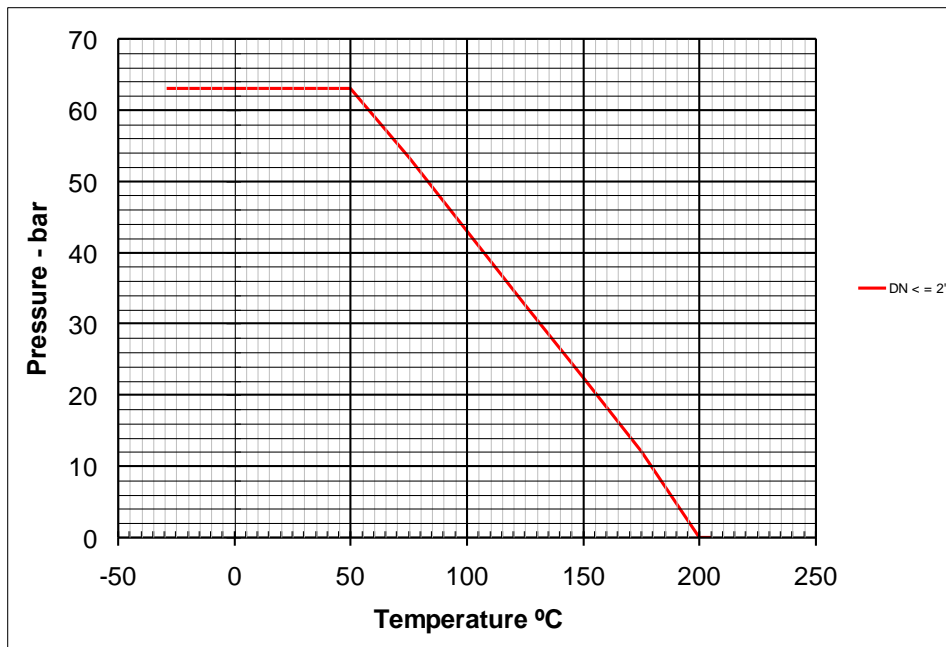


N°	Name	Material	Surface Treatment
1	Body	Stainless Steel 1.4408	External Polished
2	Cap	Stainless Steel 1.4408	External Polished
3	Ball	Stainless Steel 1.4408	
4	Stem	Stainless Steel 304	
5	Ball Seat	PTFE	
6	Thrust Washer	PTFE	
7	O-Ring	FKM ( Viton)	
8	Screw	Stainless Steel 304	
9	Handle	Aluminium	Painted

## General Dimensions

Ref	Size	PN	Dimensions (mm)					Weight (g)
			P	A	L	M	B	
2005 02	1/4"	63	8	26	40	22	9,5	83
2005 03	3/8"	63	8	26	40	22	10	82
2005 04	1/2"	63	9	28	46	22	12	116
2005 05	3/4"	63	12,5	34	54	22	14	193
2005 06	1"	63	15	34	65	22	15,5	280

## Pressure/Temperature Rating



## Kv Values

Kv: Flow rate of water in cubic meter per hour (m<sup>3</sup>/h) that will generate a pressure drop of 1 bar across the valve.

1/4"	3/8"	1/2"	3/4"	1"
3.5	4	5	13	28