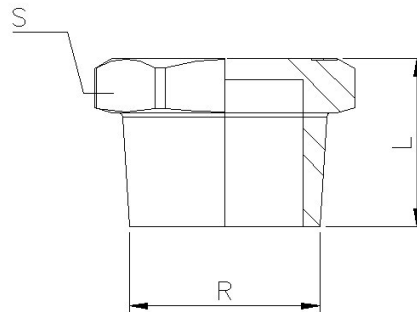


Art0290 Stainless Steel Hexagon Head Plug (BSP Threaded)

Features

1. Made of AISI 316 (Investment Casting).
2. Thread according to ISO 7-1 (EN 10226-1) Std.
3. Dimensions according to ISO 4144 Std.
4. Max. Working pressure 20 Bar (S-150).
5. Temperature ratings $-20\text{ }^{\circ}\text{C}$ to $220\text{ }^{\circ}\text{C}$.



General Dimensions

Ref	Size (R)	Dimensions (mm)	
		L	S
0290 02	1/4"	14,5	15
0290 03	3/8"	16	18
0290 04	1/2"	19,5	23
0290 05	3/4"	21	28
0290 06	1"	24	35
0290 07	1 1/4"	27	44
0290 08	1 1/2"	27	50
0290 09	2"	32	62
0290 10	2 1/2"	34	77
0290 11	3"	37,5	90