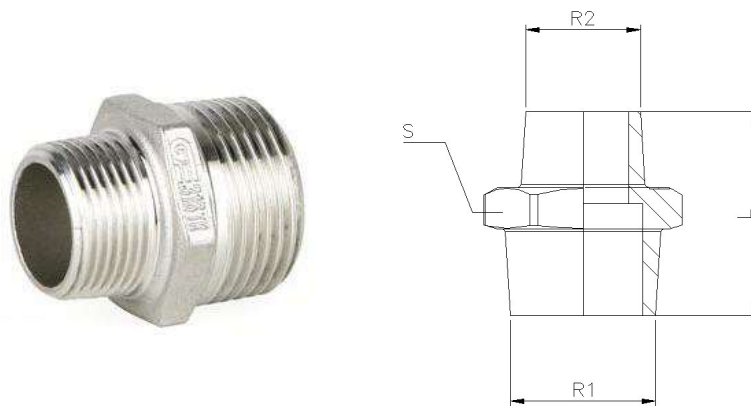


Art0245 Stainless Steel Hexagon Reducing Nipple (BSP Threaded)

Features

1. Made of AISI 316 (Investment Casting).
2. Thread according to ISO 7-1 (EN 10226-1) Std.
3. Dimensions according to ISO 4144 Std.
4. Max. Working pressure 20 Bar (S-150).
5. Temperature ratings -20 °C to 220 °C.



General Dimensions

Ref	Size (R1 x R2)	Dimensions (mm)	
		L	S
0245 02 01	1/4" x 1/8"	22,5	15
0245 03 02	3/8" x 1/4"	26,5	18
0245 04 02	1/2" x 1/4"	30	23
0245 04 03	1/2" x 3/8"	30,5	23
0245 05 04	3/4" x 1/2"	35,5	28
0245 06 04	1" x 1/2"	38,5	35
0245 06 05	1" x 3/4"	39,5	35
0245 07 05	1 1/4" x 3/4"	42,5	44
0245 07 06	1 1/4" x 1"	45	44
0245 08 06	1 1/2" x 1"	45	50
0245 08 07	1 1/2" x 1 1/4"	47,5	50
0245 09 07	2" x 1 1/4"	52,5	62
0245 09 08	2" x 1 1/2"	52,5	62