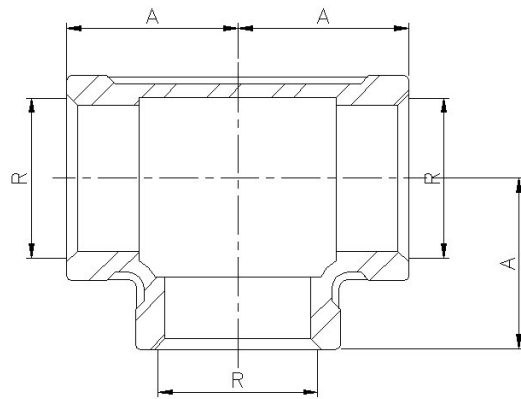


Art0130 Stainless Steel Equal Tee (BSP Threaded)

Features

1. Made of AISI 316 (Casting) .
2. Thread according to ISO 7-1 (EN 10226-1) Std.
3. Dimensions according to ISO 4144 Std.
4. Max. Working pressure 20 Bar (S-150).
5. Temperature ratings $-20\text{ }^{\circ}\text{C}$ to $220\text{ }^{\circ}\text{C}$.



General Dimensions

Ref	Size (R)	Dimensions (mm) - A
0130 02	1/4"	19
0130 03	3/8"	23
0130 04	1/2"	27
0130 05	3/4"	32
0130 06	1"	38
0130 07	1 1/4"	45
0130 08	1 1/2"	48
0130 09	2"	57
0130 10	2 1/2"	69
0130 11	3"	78
0130 12	4"	96