

BS EN 10241 Mild Steel Threaded Fittings Reducing.Sockets

General Specifications

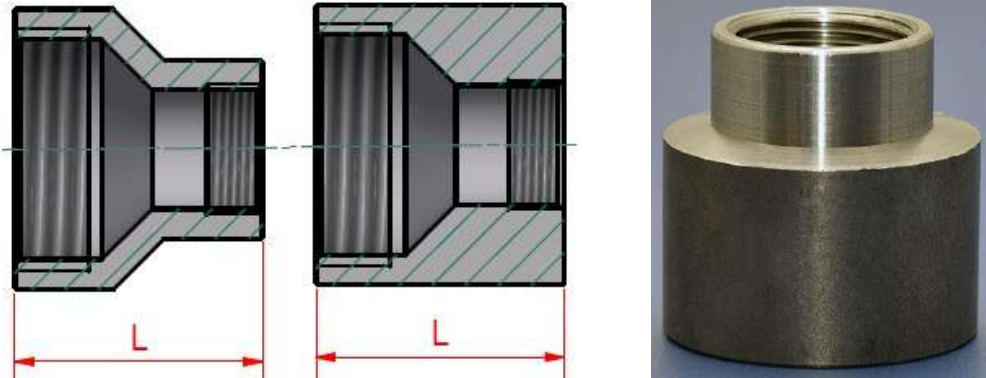
Available Black (Self-Colour) & HDG Galvanised
Forged Mild Steel Fittings (Dimensions to BS EN 10241)

BSP Threaded (Taper Male/Parallel Female)

Manufactured in the EU

Maximum Pressure: 25 bar

Maximum Temperature: 230°C



Nominal bore		Length dim. L	Weight each	Nominal bore		Length dim. L	Weight each
Metric	Imperial	mm	kgs	Metric	Imperial	mm	kgs
8 x 6mm	1/4" x 1/8"	25	0.03	50 x 15mm	2" x 1/2"	70	0.49
10 x 6mm	3/8" x 1/8"	30	0.05	50 x 20mm	2" x 3/4"	68	0.50
10 x 8mm	3/8" x 1/4"	29	0.04	50 x 25mm	2" x 1"	67	0.56
15 x 6mm	1/2" x 1/8"	41	0.08	50 x 32mm	2" x 1 1/4"	65	0.54
15 x 8mm	1/2" x 1/4"	49	0.08	50 x 40mm	2" x 1 1/2"	64	0.55
15 x 10mm	1/2" x 3/8"	38	0.08	65 x 25mm	2 1/2" x 1"	76	0.83
20 x 8mm	3/4" x 1/4"	44	0.13	65 x 32mm	2 1/2" x 1 1/4"	75	0.89
20 x 10mm	3/4" x 3/8"	43	0.13	65 x 40mm	2 1/2" x 1 1/2"	73	0.86
20 x 15mm	3/4" x 1/2"	41	0.13	65 x 50mm	2 1/2" x 2"	71	0.79
25 x 8mm	1" x 1/4"	54	0.22	80 x 25mm	3" x 1"	86	1.78
25 x 10mm	1" x 3/8"	52	0.21	80 x 32mm	3" x 1 1/4"	84	1.59
25 x 15mm	1" x 1/2"	51	0.20	80 x 40mm	3" x 1 1/2"	83	1.20
25 x 20mm	1" x 3/4"	49	0.19	80 x 50mm	3" x 2"	81	1.54
32 x 10mm	1 1/4" x 3/8"	60	0.30	80 x 65mm	3" x 2 1/2"	79	1.39
32 x 15mm	1 1/4" x 1/2"	59	0.30	100 x 40mm	4" x 1 1/2"	105	2.57
32 x 20mm	1 1/4" x 3/4"	57	0.29	100 x 50mm	4" x 2"	100	2.80
32 x 25mm	1 1/4" x 1"	56	0.27	100 x 65mm	4" x 2 1/2"	100	3.21
40 x 15mm	1 1/2" x 1/2"	65	0.42	100 x 80mm	4" x 3"	98	2.55
40 x 20mm	1 1/2" x 3/4"	64	0.45				
40 x 25mm	1 1/2" x 1"	62	0.45				
40 x 32mm	1 1/2" x 1 1/4"	60	0.44				

Manufacturing Method

Black: Fabricated
Red: Seamless