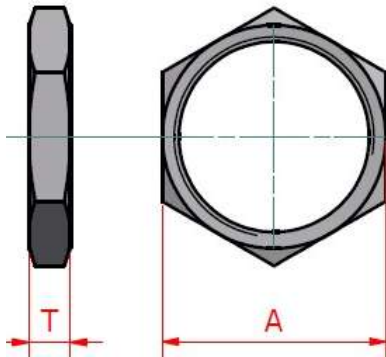


BS EN 10241 Mild Steel Threaded Fittings Locknuts/Backnuts

General Specifications

Available Black (Self-Colour) & HDG Galvanised
 Forged Mild Steel Fittings (Dimensions to BS EN 10241)
 BSP Threaded (Taper Male/Parallel Female)
 Manufactured in the EU
 Maximum Pressure: 25 bar
 Maximum Temperature: 230°C



Nominal bore		Width across flats of hexagon dim. A	Thickness dim. T	Weight each
Metric	Imperial	mm	mm	kgs
6mm	1/8"	17	6.5	0.01
8mm	1/4"	19	6.5	0.01
10mm	3/8"	24	7.0	0.02
15mm	1/2"	30	8.0	0.03
20mm	3/4"	36	9.0	0.04
25mm	1"	41	9.5	0.05
32mm	1 1/4"	50	11.0	0.07
40mm	1 1/2"	60	12.0	0.13
50mm	2"	70	13.0	0.16
65mm	2 1/2"	90	17.0	0.37
80mm	3"	100	21.0	0.48
100mm	4"	130	22.0	0.94
125mm	5"	160	24.0	2.00
150mm	6"	190	25.0	2.90

Manufacturing Method

Black: Fabricated
 Red: Seamless