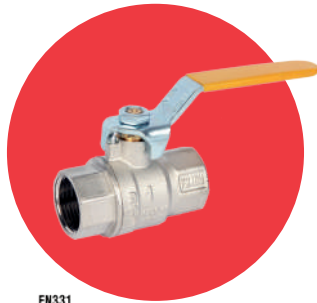


ART 45T

PN50 Brass Ball Valve



EN331



GAS APPROVED



Technical data

Max pressure:	1/4" - 3/4"	50 Bar
	1" - 1 1/4"	40 Bar
	1 1/2" - 2"	32 Bar
	2 1/2" - 4"	25 Bar

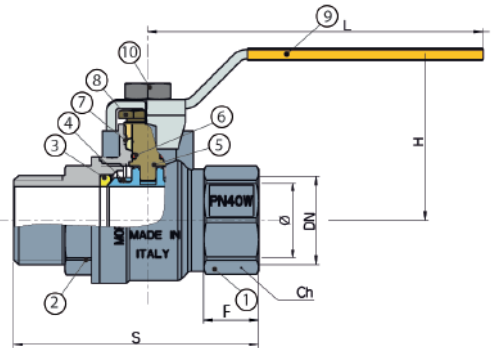
Working temp: -20°C to +160°C

Technical data - Gas distribution

Max pressure:	1/4" - 2"	20 Bar
	2 1/2" - 4"	10 Bar
Working temp:	-20°C to +60°C	

Features

- Screwed BSP Taper (ISO 7/1)
- PTFE seats & seals
- Anti-blow-out stem
- Full bore
- Locking lever & tee handle options available
- For details on handles refer to the Ball Valve Accessory datasheet



DN	1/4"	3/8"	1/2"	3/4"	1"	1 1/4"	1 1/2"	2"	2 1/2"	3"	4"
Ø	10	10	15	20	25	32	40	50	60	74	94
F	12	12	17	19.5	21	22	23.5	28	28	30.5	38
S	45	45	63	71	83	92	104	124	140	159	196
H	41	41	54	58	66	71	80	88	131	140	156
L	80	80	90	90	125	125	140	140	250	250	250
Ch	21	21	26	31	38	48	55	68	85	99	125
Kv	15	15	20	45	60	100	170	265	510	790	1230
Kgs	0.14	0.14	0.26	0.37	0.57	0.84	1.46	2.09	4.30	6.00	9.25

N. Part Name Materials

1	Body	Brass / Nickel Plated CW617N
2	Body End	Brass / Nickel Plated CW617N
3	Seat	PTFE
4	Ball	Brass / Chrome Plated CW617N
5	Stem	Brass CW614N
6	O-Ring	HNBR
7	Seal	PTFE
8	Packing Nut	Brass CW614N
9	Handle	Steel Plastic Coated
10	Nut	Steel Zinc Plated

