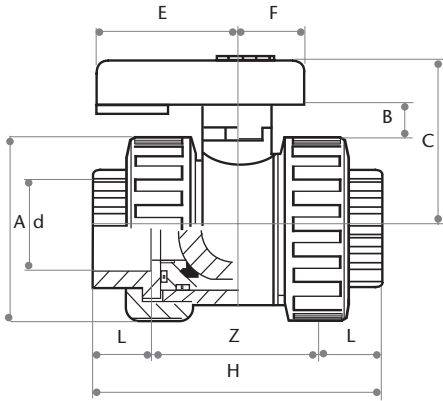




BVD13

Double Union Ball Valves with plain ends
for solvent welding EPDM Seals



d	L	Z	H	A	B	C	E	F	Kg. PVC
3/8"	14	52	80	50	10	48	39	19	0.140
1/2"	16	48	80	50	10	48	39	19	0.130
3/4"	19	56	94	60	11	54	47	22	0.200
1"	22	64	108	68	13	62	55	25	0.295
1 1/4"	26	72	124	80	18	75	60	30	0.440
1 1/2"	31	83	145	96	20	87	68	35	0.720
2"	38	98	174	116	20	101	80	40	1.190
2 1/2"	44	129	217	145	25	123	90	45	2.210
3"	51	148	250	166	28	138	100	50	3.520
4"	61	170	292	210	28	160	120	60	5.790