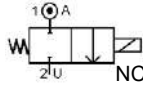


Type MD316

2/2 Zero Rated Stainless Steel Solenoid Valve (Normally Closed)

Media: Air, water, light oil, vacuum (10 torr)
 Operating pressure range: 0 - 10 bar
 Maximum media temperature: 90°C
 Ambient temperature range: -30°C - 40°C
 Maximum media viscosity: 50 centistokes
 Coil mounting: upright
 Maximum open/close time: 100 ms



Pressure/Temperature Ratings

Ø Port BSPT	Ø Orifice (mm)	Flow Kv Ltr/ min	Pressure Rating (Bar)			Seals	Part Number
			Min	Max Air/ Water	Max Oil		
3/8	16	52.9	0	10	7	EPDM NBR FKM	MD14316M16E + voltage MD14316M16N + voltage MD14316M16V + voltage
1/2	16	52.9	0	10	7	EPDM NBR FKM	MD15316M16E + voltage MD15316M16N + voltage MD15316M16V + voltage
3/4	23	90	0	10	7	EPDM NBR FKM	MD20316M16E + voltage MD20316M16N + voltage MD20316M16V + voltage
1	28	114.4	0	10	7	EPDM NBR FKM	MD25316M16E + voltage MD25316M16N + voltage MD25316M16V + voltage
1 1/4	32	185.9	0	10	7	EPDM NBR FKM	MD32316M16E + voltage MD32316M16N + voltage MD32316M16V + voltage
1 1/2	40	290.3	0	10	7	EPDM NBR FKM	MD40316M16E + voltage MD40316M16N + voltage MD40316M16V + voltage
2	50	457	0	10	7	EPDM NBR FKM	MD50316M16E + voltage MD50316M16N + voltage MD50316M16V + voltage

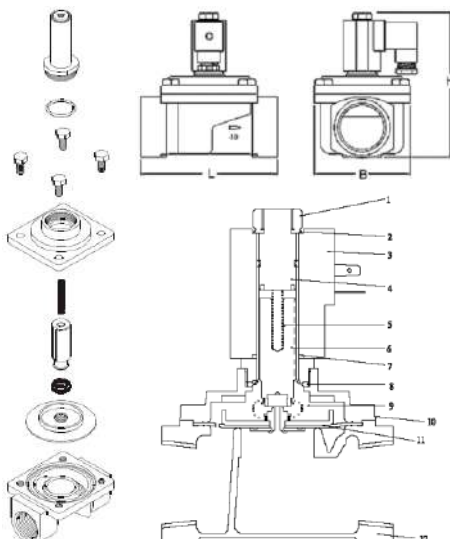
Electrical Data

Voltage (-10% + 10%) Continuous Duty 100%		Coil	Power Consumption		Insulation class	Enclosure	Electrical connections
~	24 - 110 - 230 (50 or 60 Hz)		Inrush	Holding			
=	12 - 24 - 48 - 125 (DC)	M16	70VA	35VA	F 155°C	IP 65 with connector	3 spades DIN 43650A DIN 40050 VDE 0110
			26 Watts				

Construction

Body: 316 Stainless Steel (CF8M)
 Tube and internal parts: 304, 430F Stainless steel
 Seals and gaskets: EPDM (Optional NBR or Viton®)
 Shading Ring: Copper (Option for silver shading ring)
 Moulded coil: Resin F rated

Components/Dimensions



Model	Port	L	B	H	Kg
MD15	1/2	70	52	112	0.8
MD20	3/4	80	62	122	1
MD25	1	90	72	132	1.25
MD32	1 1/4	120	83	138	1.9
MD40	1 1/2	136	97	140	2.6
MD50	2	160	112	150	4

Part	Description	Material
1	Nut	SUS304
2	O Ring	NBR
3	IP65 Moulded Coil	
4	Packless Ass'y	SUS304
5	Plunger Spring	SUS304
6	Plunger	SUS304, KM31
7	O Ring	NBR
8	O Ring	NBR
9	Spring	SUS304
10	Valve Bonnet	3/8-1" C3771BE/SCS14 1 1/4 - 2" BC 6/SCS14
11	Diaphragm	SUS304, BSBF(SUS304) NBR, EPDM or Viton
12	Valve Body	3/8-1" C3771BE/SCS14 1 1/4 - 2" BC 6/SCS14