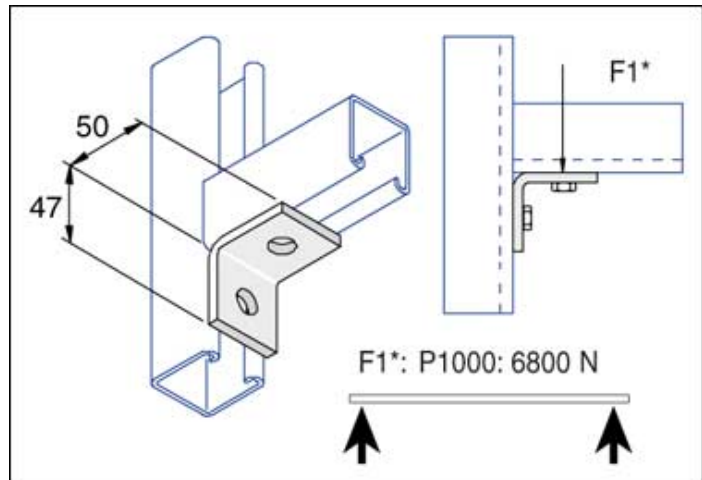


P1026 90 Degree Angle Bracket

The following are standard dimensions unless otherwise stated.

All dimensions subject to commercial tolerance

- Hole Size: 14mm diameter
- Hole Spacing (From End): 20mm from end of fitting
- Hole spacing (On Center): 48mm center to center
- Fitting Width: 40mm



Part No.	Finish	Weight	Box Qty
P1026	HG	0.14	100
P1026	SS	0.13	100

