

Viking BSP Threaded Mechanical Tee



Approvals



Rp1/2 & Rp3/4 outlet sizes are intended for direct connection to sprinklers only.

Nominal size		Model	Pipe OD mm (Inch)	Threaded Outlet	Hole Dia +3.20 (+0.126) mm (inch)	Approvals				Weight
DN	Inch					VdS	LPCB	FM	UL	kg (lbs)
50	2	3J	60.3 (2.37)	Rp1/2	38 (1.50)	C	-	D	D	0.7 (1.53)
				Rp3/4	38 (1.50)	C	-	D	D	0.67 (1.48)
				Rp1	38 (1.50)	C	-	D	D	0.73 (1.6)
				Rp1.1/4	45 (1.75)	C	-	D	D	0.84 (1.84)
				Rp1.1/2	45 (1.75)	C	-	D	D	0.86 (1.89)
65	3	3J	76.1 (3.0)	Rp1/2	38 (1.50)	C	-	D	D	0.96 (2.11)
				Rp3/4	38 (1.50)	C	-	D	D	1.05 (2.30)
				Rp1	38 (1.50)	C	-	D	D	1.10 (2.43)
				Rp1.1/4	51 (2.00)	C	-	D	D	1.18 (2.60)
				Rp1.1/2	51 (2.00)	C	-	D	D	1.23 (2.72)
80	3	3J	88.9 (3.5)	Rp1/2	38 (1.50)	C	-	D	D	1.21 (2.66)
				Rp3/4	38 (1.50)	C	-	D	D	1.14 (2.51)
				Rp1	38 (1.50)	C	-	D	D	1.28 (2.71)
				Rp1.1/4	51 (2.00)	C	-	D	D	1.31 (2.88)
				Rp1.1/2	51 (2.00)	C	-	D	D	1.35 (2.97)
				Rp2	64 (2.50)	C	-	D	D	1.51 (3.32)
100	4	3J	114.3 (4.5)	Rp1/2	38 (1.50)	C	-	D	D	1.59 (3.51)
				Rp3/4	38 (1.50)	C	-	D	D	1.57 (3.45)
				Rp1	38 (1.50)	C	-	D	D	1.60 (3.53)
				Rp1.1/4	51 (2.00)	C	-	D	D	1.66 (3.67)
				Rp1.1/2	51 (2.00)	C	-	D	D	1.77 (3.91)
				Rp2	64 (2.50)	C	-	D	D	1.94 (4.27)
		Rp2.1/2		70 (2.75)	C	C	D	D	2.06 (4.53)	
		3JS		Rp2.1/2	70 (2.75)	C	-	D	D	1.68 (3.70)
		3J		Rp3	89 (3.50)	C	C	D	D	2.54 (5.61)
125	5-1/2	3J	139.7 (5.5)	Rp1.1/4	51 (2.00)	C	-	D	D	2.63 (5.79)
				Rp1.1/2	51 (2.00)	C	-	D	D	2.64 (5.83)
				Rp2	64 (2.50)	C	-	D	D	2.62 (5.77)
				Rp2.1/2	70 (2.75)	C	C	D	D	2.80 (6.17)
				3JS	Rp2.1/2	70 (2.75)	-	-	D	D

OD = Outside Diameter

Working pressure: **A** = max. 12.1 bar (175 psi) / **B** = max. 15.5 bar (225 psi) / **C** = max. 16 bar (232 psi) / **D** = max. 20.7 bar (300 psi) / **E** = max. 25 bar (363 psi) / **F** = max. 34.5 bar (500 psi) / - = no approvals

Nominal size		Model	Pipe OD mm (Inch)	Threaded Outlet	Hole Dia +3.20 (+0.126) mm (inch)	Approvals				Weight
DN	Inch					VdS	LPCB	FM	UL	kg (lbs)
150	6.1/2	3J	165.1 (6.5)	Rp1.1/4	51 (2)	-	-	D	D	2.75 (6.05)
				Rp1.1/2	51 (2)	-	-	D	D	2.78 (6.12)
				Rp2	64 (2.5)	-	-	D	D	3.02 (6.65)
				Rp2.1/2	70 (2.75)	-	C	D	D	3.17 (6.99)
		3JS		Rp2.1/2	70 (2.75)	-	-	D	D	2.61 (5.75)
				Rp3	89 (3.5)	-	C	D	D	3.54 (7.79)
		3J		Rp4	114 (4.5)	-	C	D	B	4.17 (9.19)
				Rp4	114 (4.5)	-	-	D	B	3.60 (7.94)
150	6	3J	168.3 (6.63)	Rp1.1/4	51 (2)	C	-	D	D	3.11 (6.84)
				Rp1.1/2	51 (2)	C	-	D	D	2.97 (6.56)
				Rp2	64 (2.5)	C	-	D	D	3.28 (7.23)
				Rp2.1/2	70 (2.75)	C	C	D	D	3.57 (7.88)
		3JS		Rp2.1/2	70 (2.75)	-	-	D	D	2.81 (6.19)
				Rp3	89 (3.5)	C	C	D	D	4.12 (9.08)
		3J		Rp4	114 (4.5)	C	C	D	D	4.84 (10.7)
				Rp2	64 (2.5)	C	-	D	D	4.94 (10.9)
200	8	3J	219.1 (8.63)	Rp2.1/2	70 (2.75)	C	C	D	D	5.24 (11.6)
				Rp3	89 (3.5)	C	C	D	D	5.45 (12)
				Rp4	114 (4.5)	C	C	D	D	6.84 (15.1)
				Rp2	64 (2.5)	C	-	D	D	4.94 (10.9)

OD = Outside Diameter

Working pressure: **A** = max. 12.1 bar (175 psi) / **B** = max. 15.5 bar (225 psi) / **C** = max. 16 bar (232 psi) / **D** = max. 20.7 bar (300 psi) / **E** = max. 25 bar (363 psi) / **F** = max. 34.5 bar (500 psi) / - = no approvals

Technical data

Ambient temperature-34 °C bis 110 °C (-30 °F bis 230 °F)

Tightening torque:

- DN50 40 - 60 Nm (30 - 45 lb-ft)
- DN65 - DN100 110 - 135 Nm (80 - 100 lb-ft)
- DN125, DN150 135 - 175 Nm (100 - 130 lb-ft)
- DN200 175 - 245 Nm (130 - 180 lb-ft)

Material / surface

- Mechanical teeductile cast iron
- Red paint liquid painting similar RAL 3000
- Galvanizedhot dip galvanized
- GasketEPDM
- Bolts and nuts carbon steal, zinc electroplated

Application

Water based fire-fighting systems

Note

EPDM gaskets must never be brought into contact with lubricants or oils containing mineral oils, as well as other materials containing mineral oils (e.g. fuels or cleaning agents).

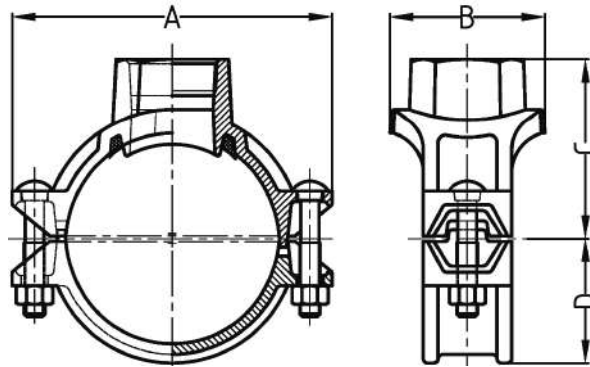
Installation

Refer to "Grooved Products Installation Guide"

Maintenance

Visual check

Dimensional drawing
Dimensions in mm (inch)



DN	Inch	Model	Threaded outlet	A	B	C	D	Bolts / Nuts	SW
50 / 60.3	2	3J	Rp1/2 - Rp1	116 (4.57)	68 (2.68)	60 (2.36)	39 (1.54)	M10x55	16
			Rp1.1/4 - Rp1.1/2	116 (4.57)	76 (2.99)	65 (2.56)	39 (1.54)	M10x55	16
65 / 76.1	3 OD	3J	Rp1/2 - Rp1	137 (5.39)	71 (2.80)	61.5 (2.42)	49.5 (1.95)	M12x70	16
			Rp1.1/4 - Rp1.1/2	137 (5.39)	84.5 (3.33)	75 (3.05)	49.5 (1.95)	M12x70	22
80 / 88.9	3	3J	Rp1/2 - Rp1	152 (5.98)	72.5 (2.85)	71.5 (2.81)	56.5 (2.22)	M12x75	22
			Rp1.1/4 - Rp1.1/2	152 (5.98)	85.5 (3.37)	80 (3.15)	56.5 (2.22)	M12x75	22
			Rp2	152 (5.98)	98 (3.86)	80 (3.15)	56.5 (2.22)	M12x75	22
100 / 114.3	4	3J	Rp1/2 - Rp3/4	188 (7.40)	78.5 (3.09)	90 (3.54)	70 (2.76)	M12x75	22
			Rp1	188 (7.40)	78.5 (3.09)	93 (3.66)	70 (2.76)	M12x75	22
			Rp1.1/4	188 (7.40)	89 (3.50)	95 (3.74)	70 (2.76)	M12x75	22
			Rp1.1/2	188 (7.40)	89 (3.50)	97 (3.82)	70 (2.76)	M12x75	22
			Rp2	188 (7.40)	104.5 (4.11)	100 (4.02)	70 (2.76)	M12x75	22
			Rp2.1/2	188 (7.40)	104.5 (4.11)	102 (4.02)	70 (2.76)	M12x75	22
		3JS	Rp2.1/2	178 (7.01)	103.5 (4.07)	98 (3.86)	67.5 (2.66)	M12x76	22
3J	Rp3	188 (7.40)	128 (5.04)	102 (4.02)	70 (2.76)	M12x75	22		
125 / 139.7	5-1/2 OD	3J	Rp1.1/4 - Rp1.1/2	221.5 (8.72)	95 (3.7)	112 (4.41)	84 (3.31)	M16x85	24
			Rp2 - Rp2.1/2	221.5 (8.72)	112.5 (4.43)	115 (4.53)	84 (3.31)	M16x85	24
		3JS	Rp2.1/2	210 (8.27)	110 (4.33)	125 (4.92)	94.5 (3.72)	M16x85	24
150 / 165.1	6-1/2 OD	3J	Rp1.1/4 - Rp1.1/2	244 (9.60)	93 (3.66)	118 (4.65)	97.5 (3.84)	M16x105	24
			Rp2 - Rp2.1/2	244 (9.60)	112.5 (4.43)	128.5 (5.06)	97.5 (3.84)	M16x105	24
		3JS	Rp2.1/2	235 (9.25)	110 (4.33)	125 (4.92)	94.5 (3.72)	M16x108	24
		3J	Rp3	244 (9.60)	132 (5.20)	128.5 (5.06)	97.5 (3.84)	M16x105	24
			Rp4	244 (9.60)	154 (6.18)	135 (5.32)	97.5 (3.84)	M16x105	24
			Rp4	240 (9.45)	155 (6.10)	130 (5.12)	94.5 (3.72)	M16x108	24
150 / 168.3	6	3J	Rp1.1/4 - Rp1.1/2	247 (9.72)	95 (3.74)	122 (4.8)	98.5 (3.88)	M16x105	24
			Rp2 - Rp2.1/2	247 (9.72)	112.5 (4.43)	132 (5.2)	98.5 (3.88)	M16x105	24
		3JS	Rp2.1/2	240 (9.45)	110 (4.33)	127 (5.00)	96.5 (3.80)	M16x108	24
		3J	Rp3	247 (9.72)	132 (5.2)	140 (5.51)	98.5 (3.88)	M16x105	24
			Rp4	247 (9.72)	160 (6.30)	140 (5.51)	98.5 (3.88)	M16x105	24
200 / 219.1	8	3J	Rp2	320 (12.6)	117 (4.61)	160 (6.30)	125 (4.92)	M20x115	30
			Rp2.1/2	320 (12.6)	118 (4.65)	160 (6.30)	125 (4.92)	M20x115	30
			Rp3	320 (12.6)	136.5 (5.37)	160 (6.30)	125 (4.92)	M20x115	30
			Rp4	320 (12.6)	164 (6.46)	160 (6.30)	125 (4.92)	M20x115	30