

# Viking Grooved Flexible Couplings



## Approvals



LPCB approved Shurjoint fittings ≤ DN250 are allowed

Nominal size		Model	Pipe OD mm (Inch)	Approvals					Weight
DN	Inch			VdS	LPCB	FM	UL	CNBOP	kg (lbs)
25	1	1N	33.7 (1.33)	C	E	D	F	C	0.46 (1.0)
32	1-1/4	901	42.4 (1.67)	G	G	D	D	G	0.60 (1.3)
40	1-1/2	901	48.3 (1.90)	G	G	D	D	G	0.60 (1.3)
50	2	901	60.3 (2.37)	G	G	D	D	G	0.70 (1.5)
65	2-1/2	1N	73.0 (2.88)	-	E	D	D	-	0.85 (1.9)
65	3 OD	901	76.1 (3.00)	G	G	D	D	G	0.90 (2.0)
80	3	901	88.9 (3.50)	G	G	D	D	G	1.00 (2.2)
100	4-1/4 OD	1N	108.0 (4.25)	-	E	D	F	-	1.67 (3.7)
100	4	901	114.3 (4.50)	G	G	D	D	G	1.50 (3.3)
125	5-1/2 OD	901	139.7 (5.50)	C	G	D	D	C	2.70 (6.0)
125	5	1N	141.3 (5.56)	-	E	D	D	-	2.28 (5.0)
150	6-1/4 OD	1N	159.0 (6.25)	-	E	D	D	-	2.63 (5.8)
150	6-1/2 OD	901	165.1 (6.50)	C	G	D	D	C	3.20 (7.1)
150	6	901	168.3 (6.63)	C	G	D	D	C	3.20 (7.1)
200	8	901	219.1 (8.63)	C	G	D	D	C	6.30 (13.9)
250	10	1N	273.0 (10.75)	C	-	D	B	C	10.80 (23.8)
300	12	1N	323.9 (12.75)	-	-	D	B	-	9.50 (20.9)

OD = Outside Diameter

Working pressure: A = max. 12.1 bar (175 psi) / B = max. 15.5 bar (225 psi) / C = max. 16 bar (232 psi) / D = max. 20.7 bar (300 psi) / E = max. 25 bar (363 psi) / F = max. 34.5 bar (500 psi) / G = max. 20 bar (290 psi) / - = no approvals

### Technical data

Ambient temperature .....-40 °C to 110 °C (-40 °F to 230 °F)

### Material / surface

Coupling .....ductile cast iron, ASTM A536 Grade 65-45-12  
 - Red paint ..... liquid painting similar RAL 3000  
 - White powder .....powder coating similar RAL 9010  
 - Galvanized .....hot dip galvanized  
 Gasket .....EPDM  
 Bolts and nuts .....heat-treated carbon steel,  
 .....zinc electroplated with yellow chromate

### Application

Water based fire-suppression systems

### Installation

Refer to "Grooved Products Installation Guide"

### Maintenance

Visual check

### Caution

For environments where aggressive, corrosive atmosphere is expected (e.g. direct outdoor exposure, direct contact with water, industrial atmosphere etc.) coupling bolts and nuts made of stainless steel (type A4 respective 316) are available. These stainless steel bolts and nuts are MoS2 coated grey-black to inhibit galling.

In addition special surface coatings (e.g. Rilsan, Resicoat etc.) are available.

### Note

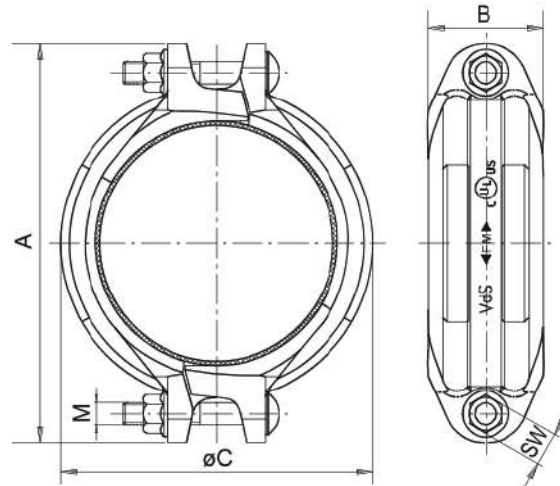
EPDM gaskets must never be brought into contact with lubricants or oils containing mineral oils, as well as other materials containing mineral oils (e.g. fuels or cleaning agents).

### Lubricant for assembly

Use suitable lubricants for the EPDM sealing only.

### Dimensional drawing

Dimensions in mm (inch)



DN / mm	Inch	Model	A (mm / inch)	B (mm / inch)	$\phi C$ (mm / inch)	Bolts - Nuts	SW
25 / 33.7	1	1N	92 (3.62)	42 (1.65)	55 (2.16)	M10x57	16
32 / 42.4	1-1/4	901	103 (4.06)	46.5 (1.83)	64 (2.52)	M10x55	15
40 / 48.3	1-1/2	901	110 (4.33)	46.5 (1.83)	70 (2.76)	M10x55	15
50 / 60.3	2	901	123 (4.84)	46.5 (1.83)	85 (3.35)	M10x55	15
65 / 73	2-1/2	1N	143 (5.63)	45 (1.78)	96 (3.78)	M10x57	16
65 / 76.1	3 OD	901	140 (5.51)	47.5 (1.87)	102 (4.02)	M10x60	15
80 / 88.9	3	901	155 (6.10)	47.5 (1.87)	115 (4.53)	M10x60	15
100 / 108.0	4-1/4 OD	1N	190 (7.48)	50 (1.97)	138 (5.43)	M12x70	22
100 / 114.3	4	901	184 (7.24)	52.0 (2.05)	142 (5.59)	M10x65	15
125 / 139.7	5-1/2 OD	901	234 (9.21)	52.5 (2.07)	171 (6.73)	M16x90	24
125 / 141.3	5	1N	232 (9.13)	51 (2.01)	170 (6.69)	M16x85	24
150 / 159.0	6-1/4 OD	901	256 (10.08)	52 (2.05)	190 (7.48)	M16x85	24
150 / 165.1	6-1/2 OD	901	262 (10.31)	52.5 (2.07)	199 (7.80)	M16x90	24
150 / 168.3	6	901	265 (10.43)	52.5 (2.07)	201 (7.91)	M16x90	24
200 / 219.1	8	901	334 (13.15)	63.5 (2.50)	259 (10.20)	M20x110	30
250 / 273.0	10	1N	406 (16.00)	65 (2.56)	337 (13.27)	M22x140	34
300 / 323.9	12	1N	465 (18.31)	65 (2.56)	378 (14.96)	M22x140	34